

# Contact us

ABB S.p.A.  
**Electrification Business**  
 Viale dell'Industria, 18  
 20009 Vittuone (MI) Italy  
<https://new.abb.com/low-voltage>



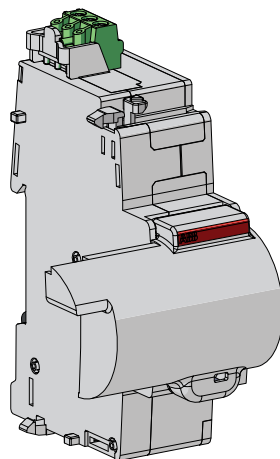
Warning! Installation by person with electrotechnical expertise only.  
 Warnung! Installation nur durch elektrotechnische Fachkraft.  
 Avvertenza! Fare installare solo da un elettricista qualificato.

October 2024  
 2CSS490014D1003

## Autoreclosing unit

# INSTALLATION AND OPERATING INSTRUCTIONS

- F3C-AR230 C 2/30
- F3C-AR230 C 2/300
- F3C-AR230 C 4/30
- F3C-AR230 C 4/300



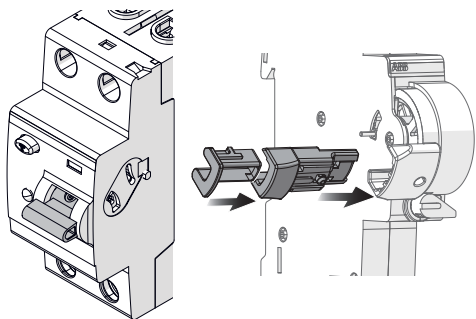
## 1. Packaging Content

- Autoreclosing device
- Installation manual
- Toggle adapters
- Safety sticker

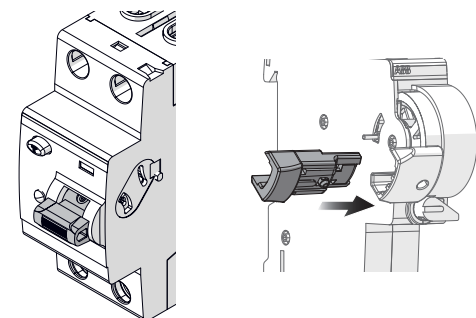
## 2. Mounting

### 2.1. Toggle adapter

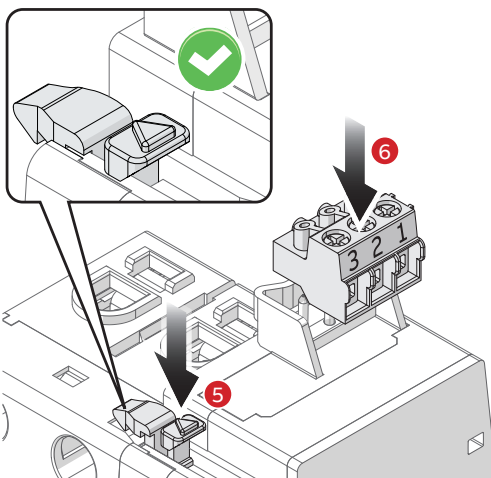
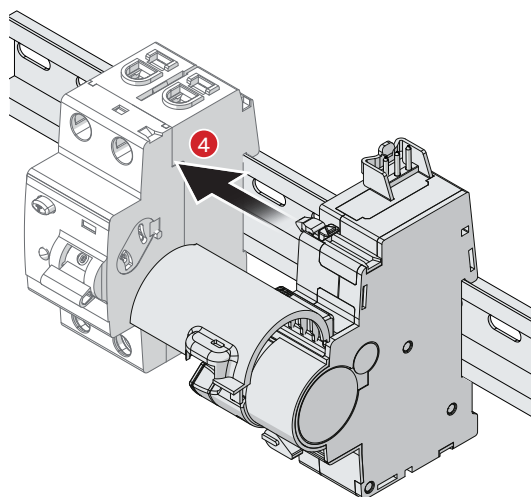
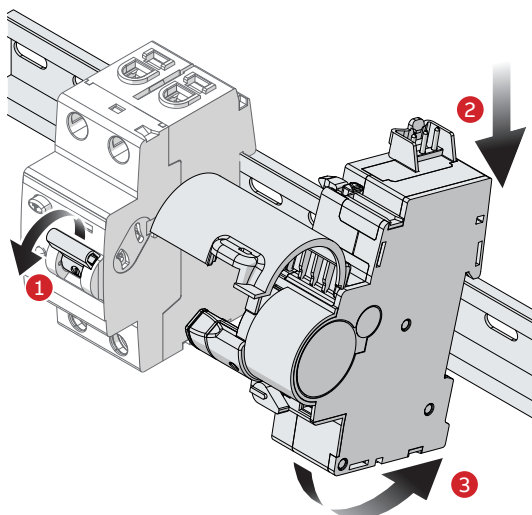
F200



F200  
 VY (A, S, B type)

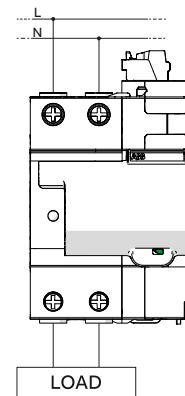
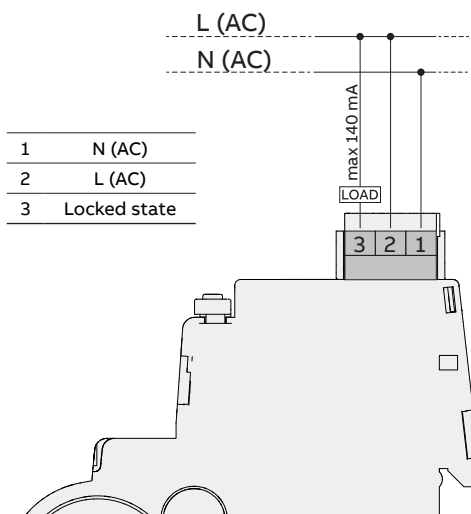


### 2.2. Assembly

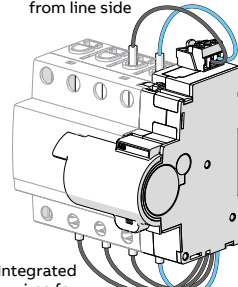


Operate toggle OFF-ON-OFF to verify proper assembly

### 2.3. Wiring Diagram

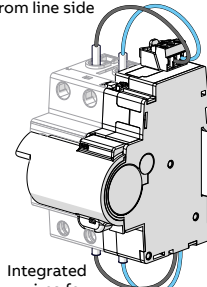


Power supply from line side



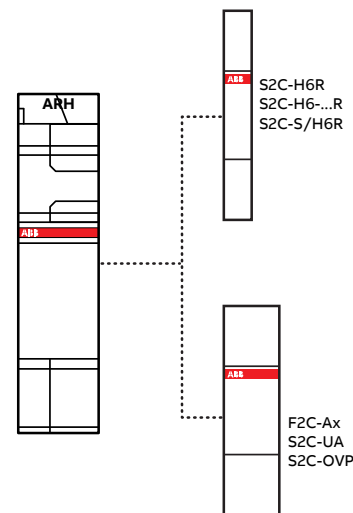
Integrated wires for assessment

Power supply from line side

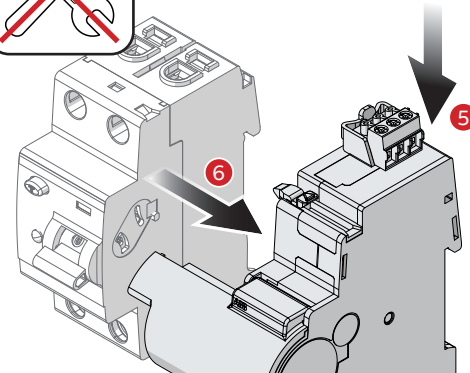
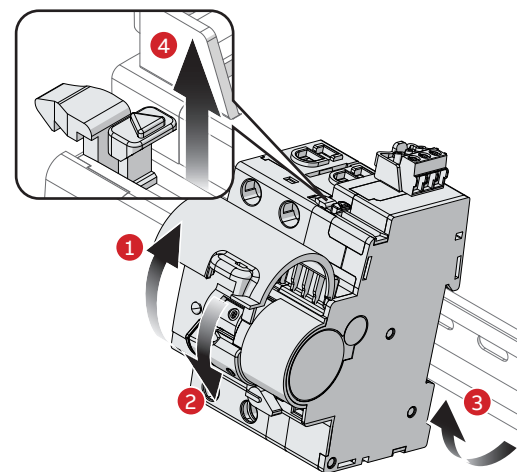


Integrated wires for assessment

### 2.4. External System ProM accessories



## 3. Dismounting

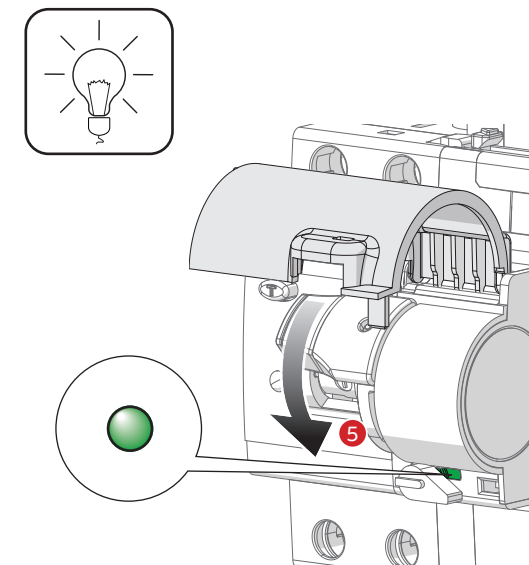
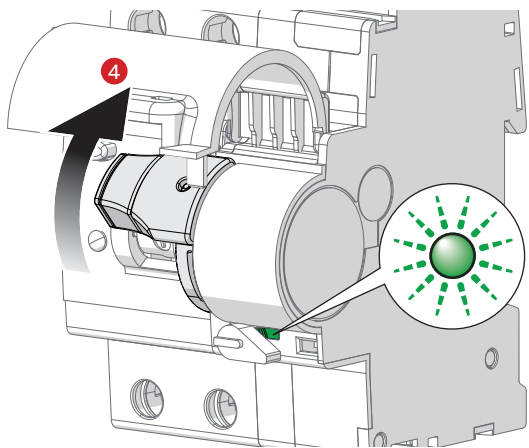
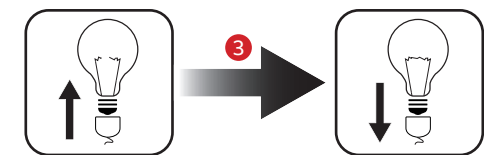
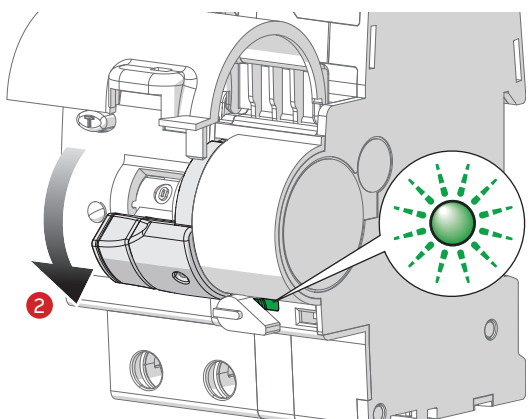
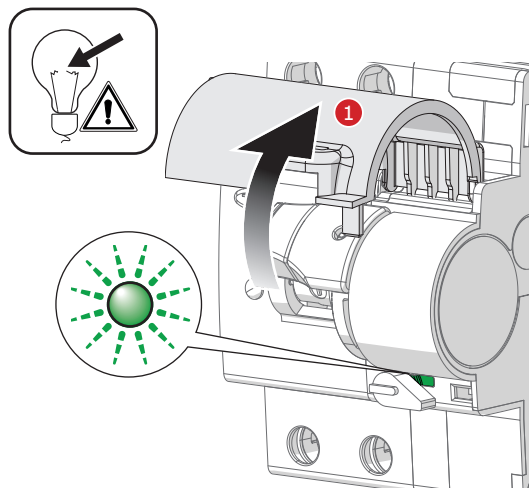


© Copyright 2023 ABB S.p.A. All rights reserved.  
 Specification subject to change without notice.

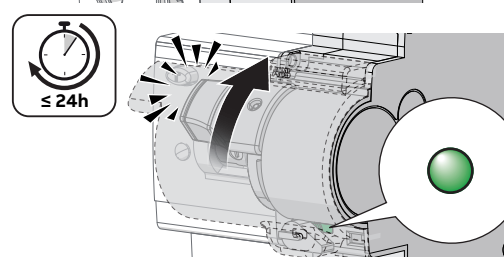
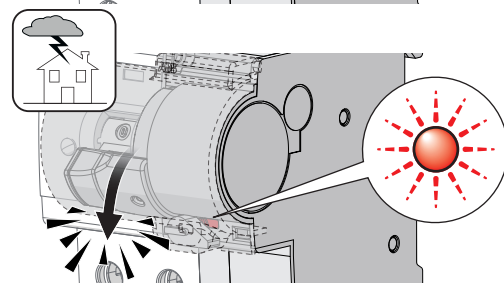
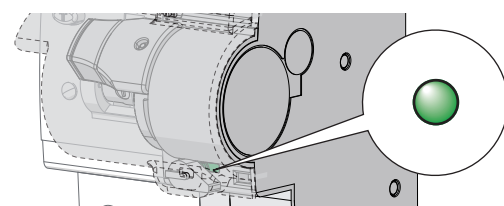
## 4. Operations

### 4.1. Disconnection of installation

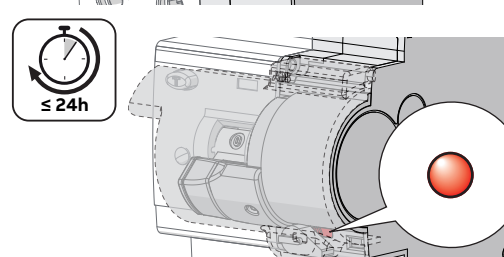
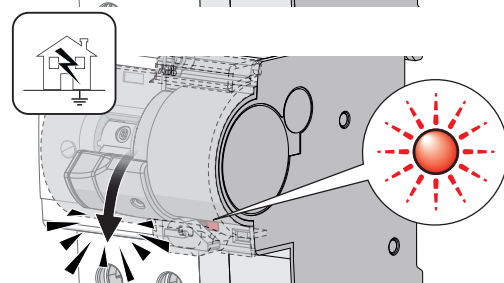
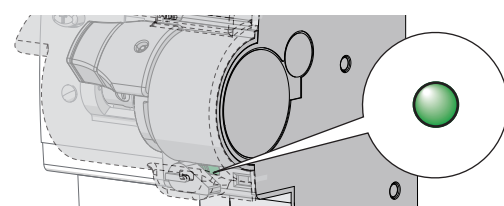
Warning: before accessing active parts, disable the automatic re-closing function and switch off the main protection device.



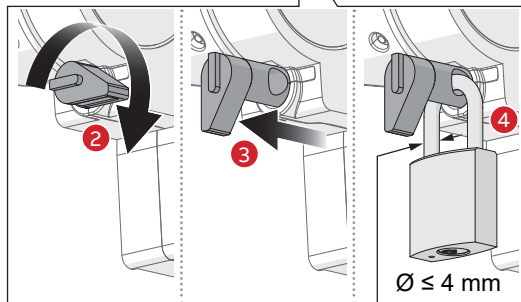
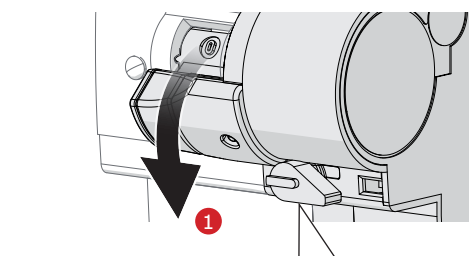
### 4.2. Temporary fault



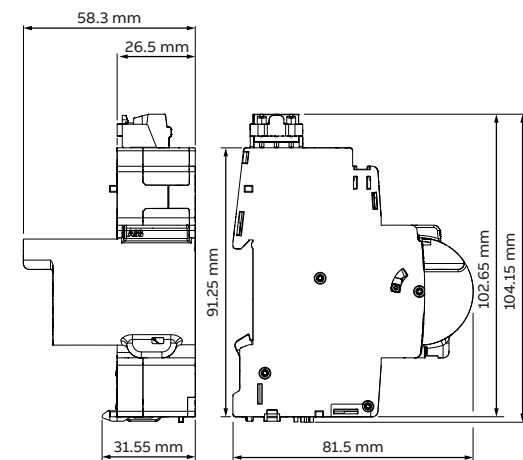
### 4.3. Permanent earth fault



## 5. Locking in isolating state



## 6. Dimensional drawings



## 7. Technical Data

	F3C-AR230 C 2/30	F3C-AR230 C 2/300	F3C-AR230 C 4/30	F3C-AR230 C 4/300
Rd0 (rated non operating resistance between live parts and earth)	8 kΩ	800 Ω	8 kΩ	800 Ω
Rd (rated operating resistance between live parts and earth)	22 kΩ	8 kΩ	22 kΩ	8 kΩ
Earthing system	TT-TN			
Standard:	IEC63024 EN 63024			
Suitable for:	RCCBs F200 (up to 100A), F200 B type (up to 63A) and VY (A, S, B type)			
	2P, 230 V, 30 mA	2P, 230 V, 300 mA	4P, 400 V, 30 mA	4P, 400 V, 300 mA
Number of modules	1,5			
Operating voltage	230-240 V AC (-15% +10%)			
Automatic reclosure after untimely tripping	Yes (up to 24 hours after the fault) System check: 1st time: ≈ 3 seconds 2nd time: ≈ 2 minutes 3rd time: ≈ 5 minutes 4th time to 48th time: ≈ 30 minutes			
Earth leakage check	Yes			
Max number of consecutive automatic reclosure attempts	48			
Reset time for counter of automatic reclosing attempts	45 s			
Power consumption during operation	<26 VA			
Power consumption at rest	<1,5 VA			
Closing time	<1 s			
Opening time	<1 s			
Protection degree acc. To EN 60529	IP40 (housing)/IP20 (terminals)			
Operating temperature	-25 ... +60 °C			
Storage temperature	-40 ... +70 °C			
Oversoltage category	III			
Pollution degree acc. to EN 60664	2			
Shock resistance acc. to IEC/EN 60068-2-27	25g, 2shocks, 13ms			
Vibration resistance acc. to IEC/EN 60068-2-6	1g - 20 cycle at 5... 150 ... 5 Hz			
Environmental conditions (damp heat) acc. to IEC/EN 60068-2-30	28 cycles with 55°C/90-96% and 25°C/95-100%			
Terminal type	plug-in			
Cross-section of conductors	0,2...2,5 mm <sup>2</sup>			
Tightening torque	0,4 Nm			
Stripping length of the cable	5 mm			
Locked state	Terminal 3			