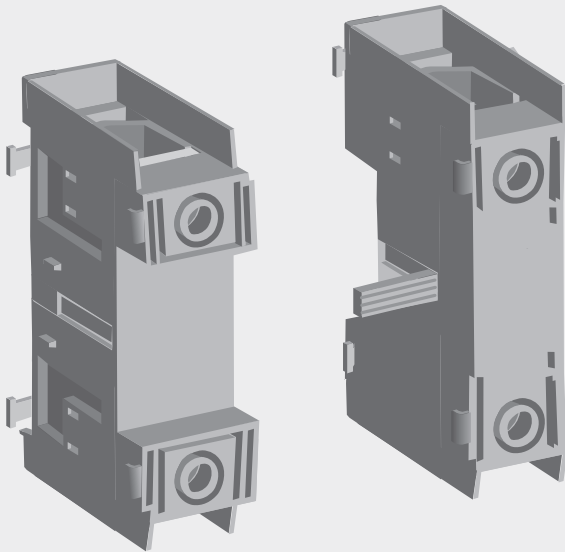


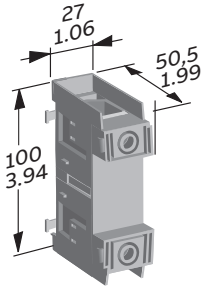
—
INSTALLATION INSTRUCTION

Fourth pole

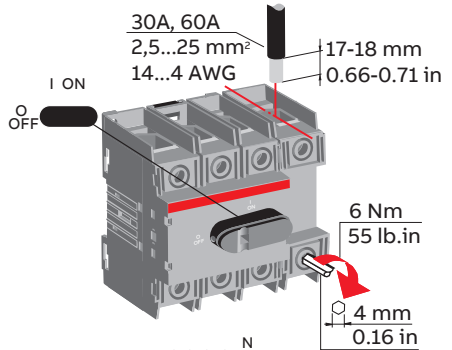
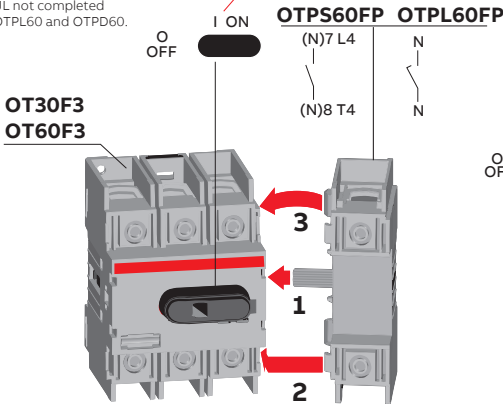
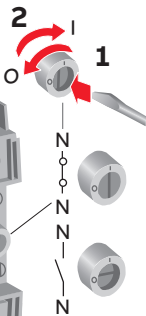
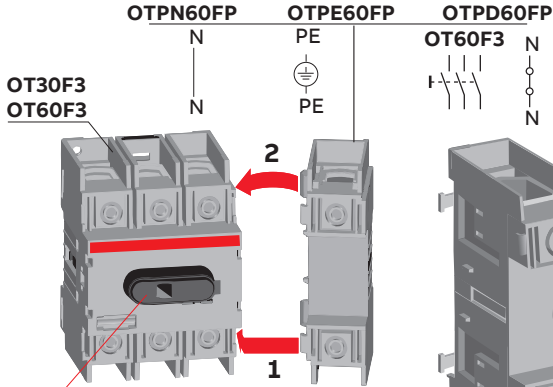
OTP_60FP, OTP_60FT1



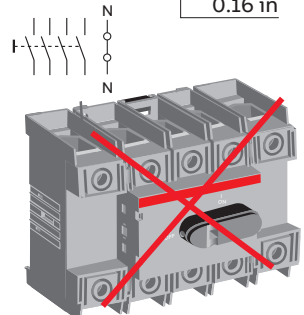
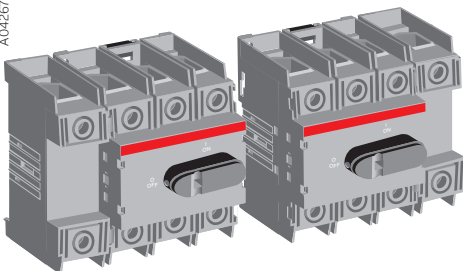
OTP_60FP



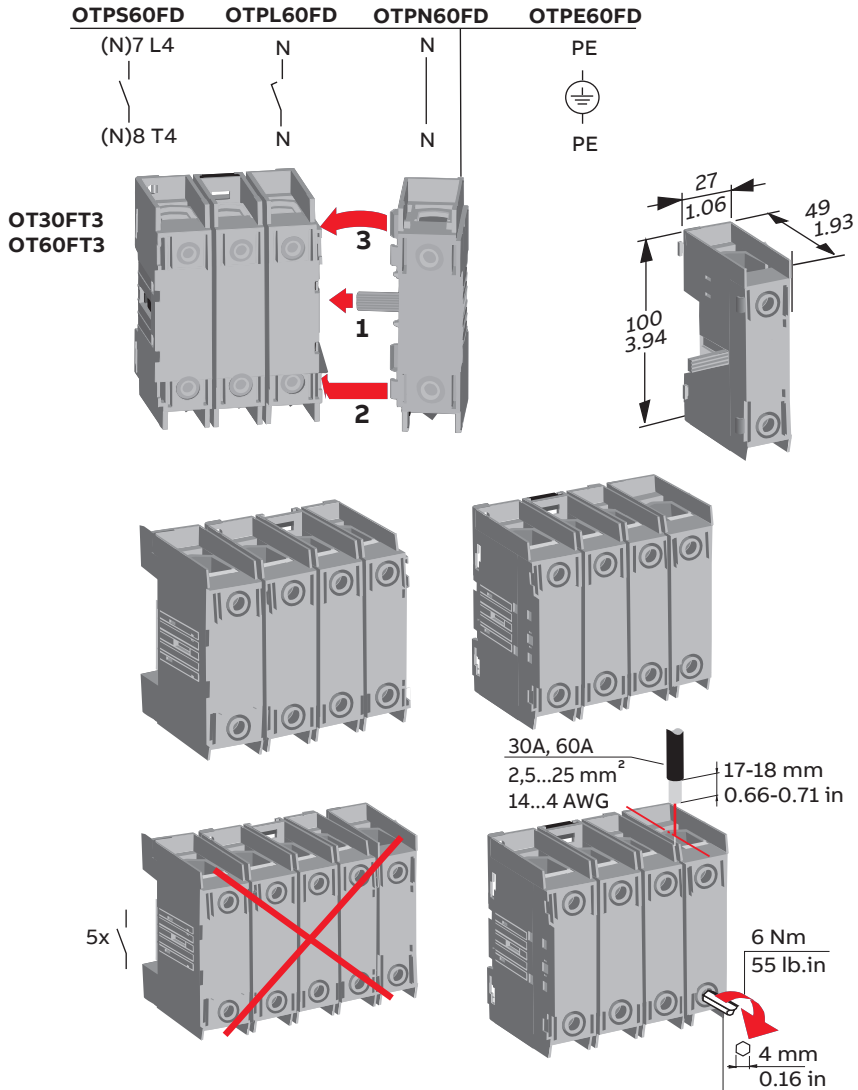
UL US IND. CONT. EQ 97C2
 General Use Ratings
 600 VAC 100 A
 Listed for use with
 OT30F3 and OT60F3.
 UL not completed
 OTPL60 and OTPD60.



A04267



OTP60_FD





Contact us

ABB Oy

Muottitie 2A 65320

Vaasa, Finland

abb.com/lowvoltage