

—
INSTALLATION INSTRUCTION

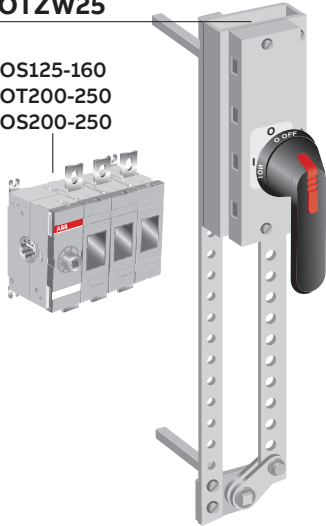
Conversion kit OTZW25-26



OTZW25 and OTZW26

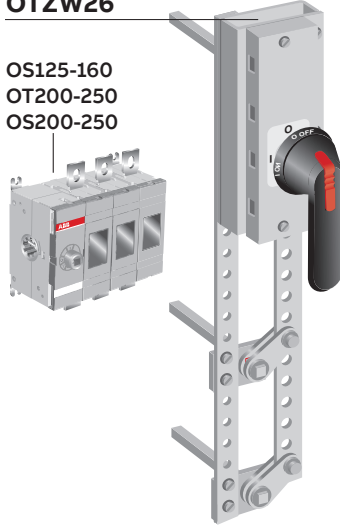
OTZW25

OS125-160
OT200-250
OS200-250

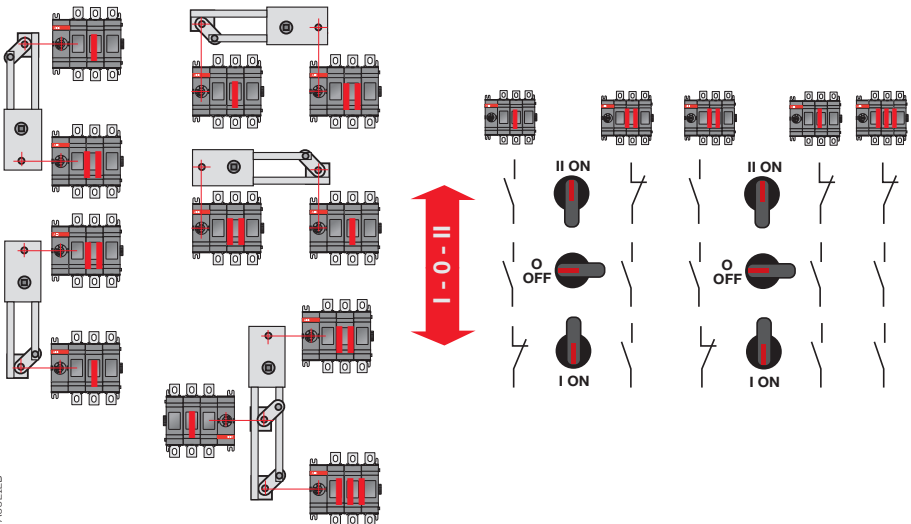


OTZW26

OS125-160
OT200-250
OS200-250



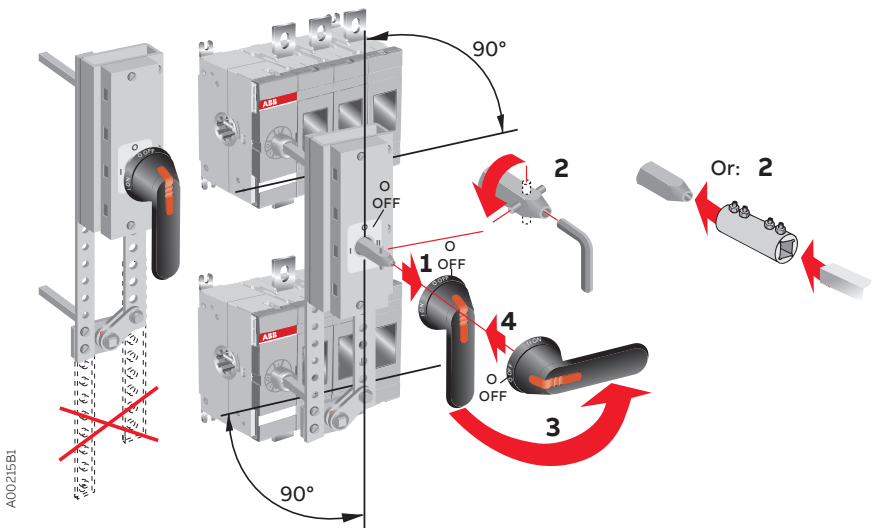
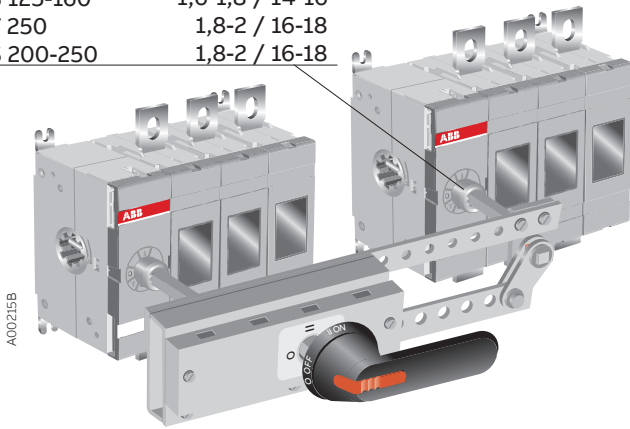
A00216A



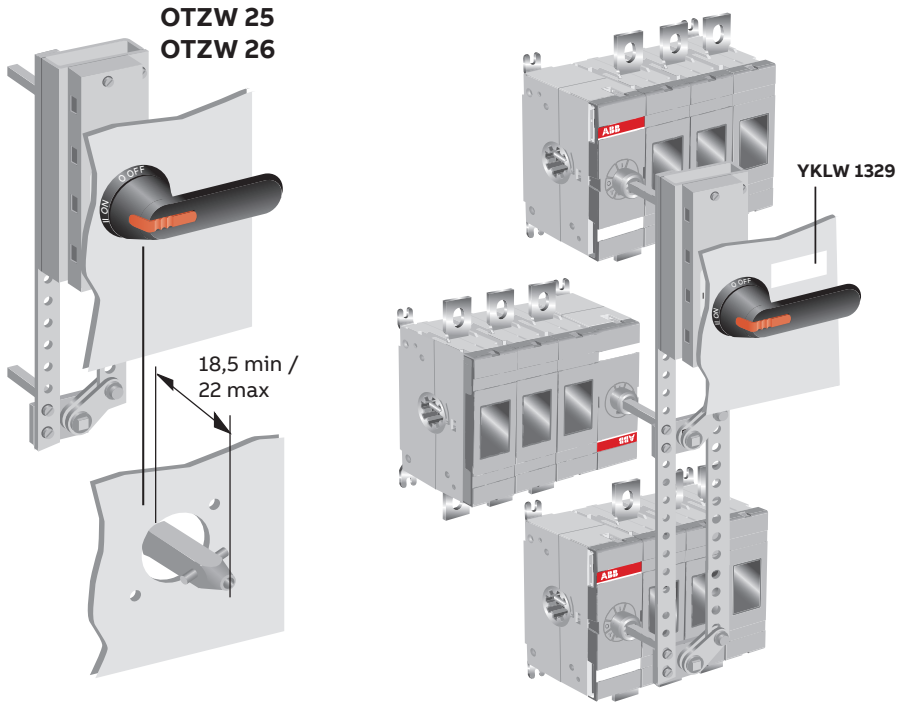
A00212B

OTZW25 and OTZW26

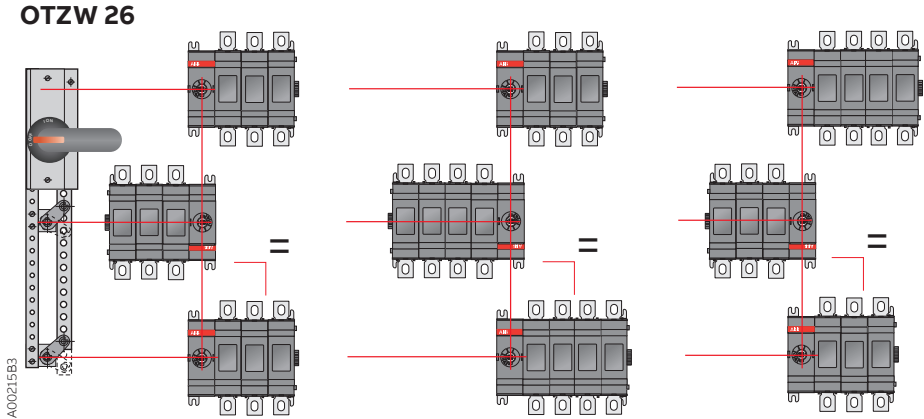
	Nm / lb.in
OS 125-160	1,6-1,8 / 14-16
OT 250	1,8-2 / 16-18
OS 200-250	1,8-2 / 16-18



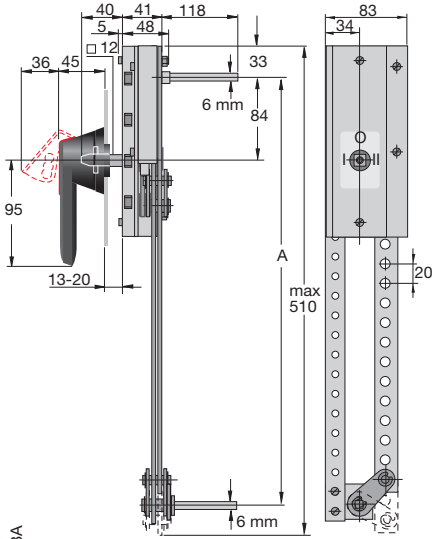
OTZW25 and OTZW26



OTZW26

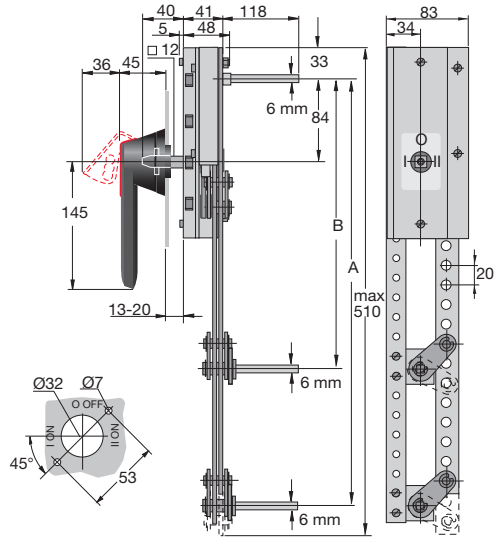


OTZW25 and OTZW26



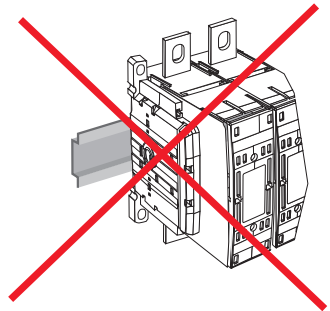
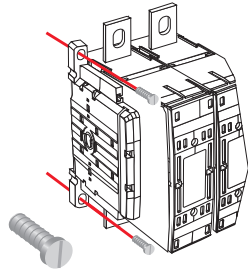
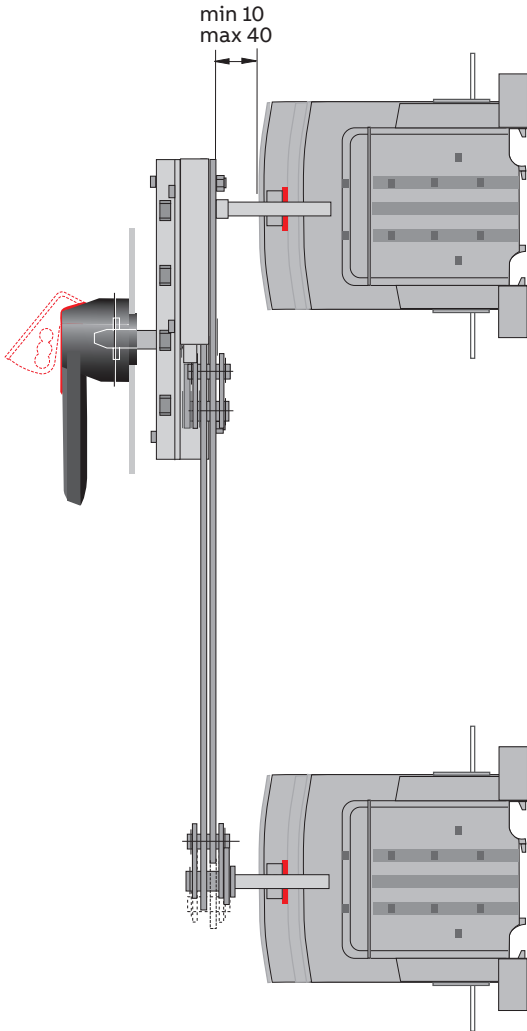
A00213A

	A
OTZW 25	210+(0...18)x20 mm



	A	B
OTZW 26	210+(0...9)x20 mm	210+(0...9)x20 mm

OTZW25 and OTZW26





Contact us

ABB Oy

P.O. Box 622
FI-65101 Vaasa
Finland

abb.com/lowvoltage