

19127000	DATA SHEET	
Valid from: 14.11.2025	EPIC® H-B 24 TBF	

Description

- The standard for housings. Large selection of different inserts.
- Easy-to-grip, user-friendly design makes it easy to plug and unplug the connector.



General Characteristics

Series	H-B 24
Locking	double lever
Cable entry	top
Protection (DIN EN 60529)	IP 65 (latched)
Protection (NEMA 250, UL50E)	4, 12 (latched)
Temperature Range	-40°C to +125°C

Materials and Surfaces

Housing	aluminium alloy, powder-coated, grey
Lever	steel, zinc-plated
Gasket	NBR

Approvals

UL-Approval, E-File-Number	E75770
----------------------------	--------


Standard

Safety Standard	IEC 61984
-----------------	-----------

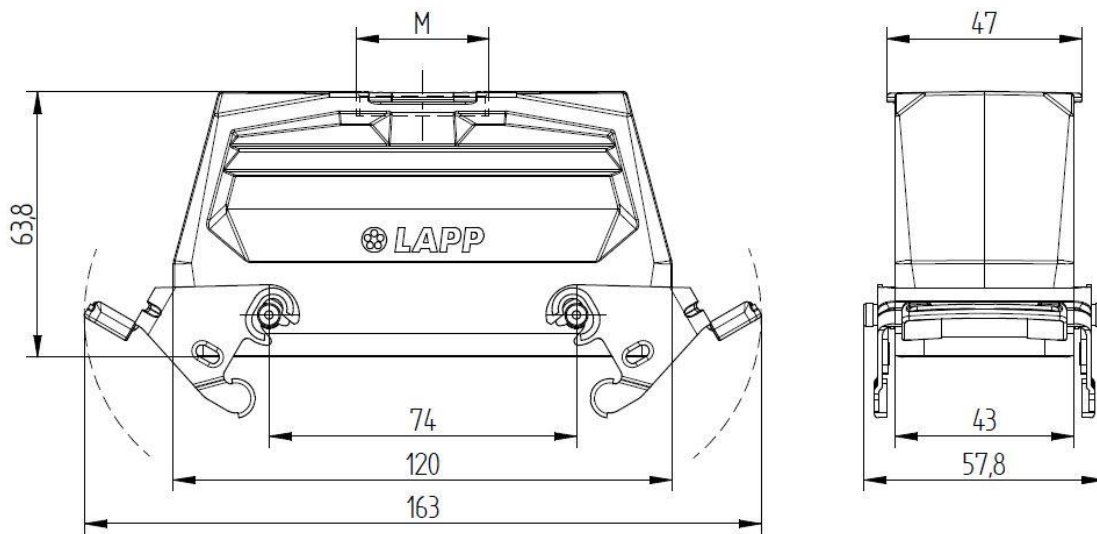
Versions

Article number	Article description	Thread M
19127000	EPIC® H-B 24 TBF M25	M25x1,5
19117000	EPIC® H-B 24 TBF M32	M32x1,5

Creator: TODV1/BU EPIC Released: MAJU2/BU EPIC	Document: DB19127000EN Version: 02	Page 1 of 2
---	---------------------------------------	-------------

19127000	DATA SHEET	
Valid from: 14.11.2025	EPIC® H-B 24 TBF	

Technical Drawings



Industrial machinery and plant engineering



Mechanical resistance



Robust



Waterproof



Automation

Info

Universal, robust metal housings size H-B 24

Application range

Plant engineering, Light & sound technology, Plastics industry

Remark

Photographs are not to scale and do not represent detailed images of the respective products.

Creator: TODV1/BU EPIC Released: MAJU2/BU EPIC	Document: DB19127000EN Version: 02	Page 2 of 2
---	---------------------------------------	-------------