


10033900	DATA SHEET	
Valid from: 24.03.2026	EPIC® H-B 10 AD-LB	

Description

- The smallest housing with single and double lever.
- The right housing is available for every application.



General Characteristics

Series	H-B 10
Version	Panel mount base
Protection cover	Yes
Locking	Single lever
Protection (DIN EN 60529)	IP 65 (latched)
Temperature Range	-40°C to +125°C

Materials and Surfaces

Housing	Aluminium alloy, powder-coated, grey
Lever	Iron, galvanized
Profile Seal	NBR


Approvals

UL File Number	In preparation
----------------	----------------

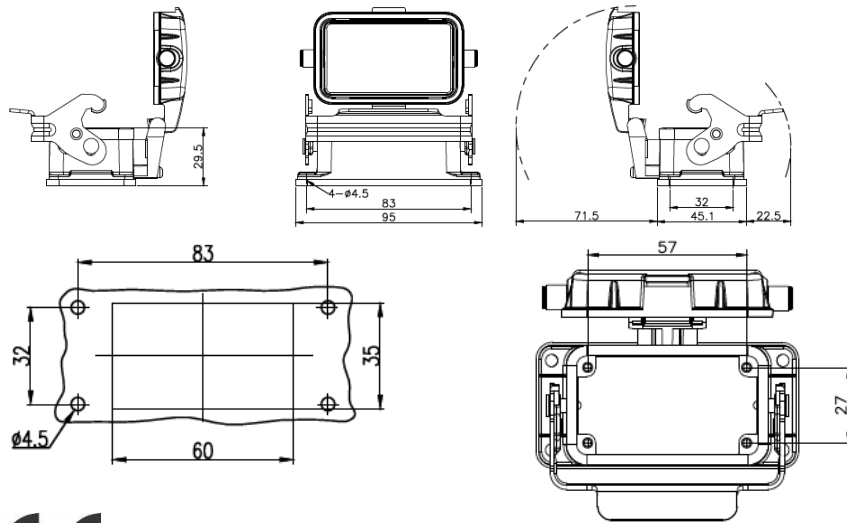
Standard

Safety Standard	IEC 61984
-----------------	-----------

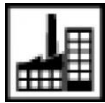
Creator: LEBU1/PDP Released: THBO1/BU EPIC	Document: DB10033900EN Version: 02	Page 1 of 2
---	---------------------------------------	-------------

10033900	DATA SHEET	
Valid from: 24.03.2026	EPIC® H-B 10 AD-LB	

Technical Drawings



Automation



Industrial machinery and plant engineering



Mechanical resistance



Robust



Waterproof

Info

Universal, robust metal housings size H-B 10

Application range

Plant engineering
Light & sound technology
Plastics industry

Remark

Photographs are not to scale and do not represent detailed images of the respective products.

Creator: LEBU1/PDP Released: THBO1/BU EPIC	Document: DB10033900EN Version: 02	Page 2 of 2
---	---------------------------------------	-------------