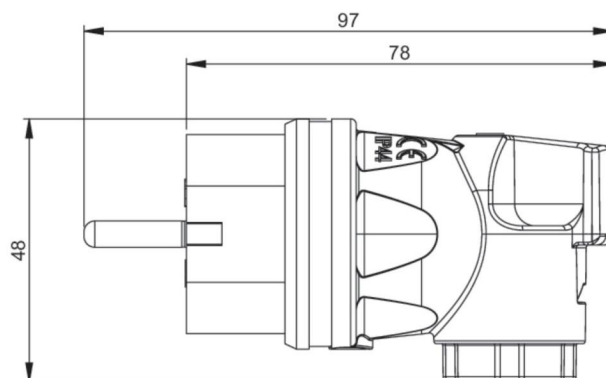


article#	05821-s
article description	Safety plug angled rubber 2SL IP44 (black) series Taurus
description long	Safety plug angled with dual earthing system - rubber housing material: TPE, contact carrier: PA6 color: black connection technology: screw terminal dual earthing system: Austrian/German and French/Belgian contacts: nickel plated 250V~ / 16A / 2P+E protection rating: IP44 form: angled
GTIN (EAN)	9003399210822
country of origin	AT
customs number	85366990
net weight	0.074 kg
packaging quantity	20
minimum order quantity	20

ETIM 10.0	EC000242
Model	Hybrid plug CEE 7/7 (type E/F)
Protective contact	Earthing clips and round
Material	Rubber
Material quality	Thermoplastic
Degree of protection (IP)	IP44
Insert direction	Right-angled
Connection system	Screwed terminal
Colour	Black
Number of poles	3
Nominal voltage	250 V
Nominal current	16 A
For heavy conditions according to VDE	True

K (cable Ø)	6-13 mm
wire flexible	0,75-2,5 mm ²
contact screws	80 Ncm
strain relief	110 Ncm
dismantling length	30 mm
stripping length	7 mm
ambient temperature	-25 – 40 °C



<https://www.pcelectric.at/shop/en/?func=detail&artnr=05821-s>