

LIMIT SWITCH - INDUCTIVE DOUBLE SENSOR

TYPE 5300



GENERAL

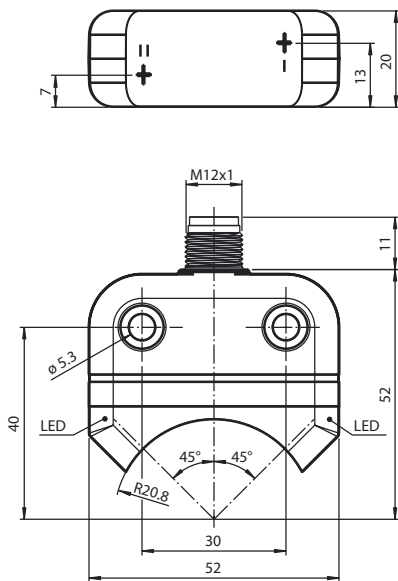
FUNCTION:	PNP
VOLTAGE:	10V DC - 30V DC
VOLTAGE DROP:	3V DC
NO-LOAD SUPPLY CURRENT:	22.5 mA
OPERATIONAL CURRENT:	200 mA
ASSURED OPERAT. DIST.:	0 - 4 mm
OUTPUT TYPE:	3-WIRE
CONNECTION:	5 M CABLE OR M12 MALE CONNECTOR
TEMPERATURE:	-25°C TO 70°C
MATERIAL:	GLASS FIBRE REINFORCED PLASTIC
MOUNTING:	VDI / VDE 3845
ENCLOSURE:	IP67
OUTPUT INDICATOR:	YELLOW LED
VOLTAGE INDICATOR:	GREEN LED

OPTION

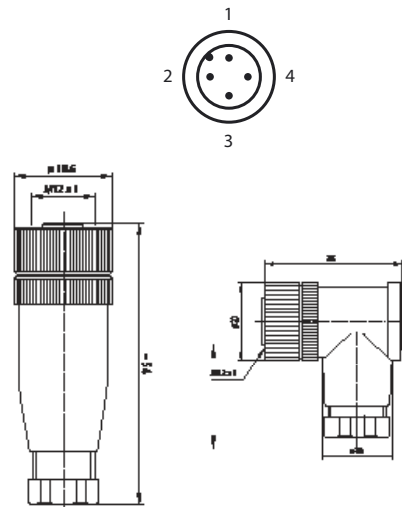
INDICATOR:	3-WAYS "T" OR "L"
FUNCTION:	NPN
CONNECTOR:	M12 FEMALE CONNECTOR, STRAIGHT/ANGLE
TARGET:	ALUMINUM, COPPER
ATEX:	EX, II G EX IA II C T6

DIMENSIONS

SENSOR



FIELD-ATTACHABLE CONNECTOR



DESCRIPTION

- **Inductive double sensor with 90° activation** between open and closed position. Suitable for the most of our valves.
- **Short circuit protection.**
- **Can be supplied in ATEX edition.**
- **Complies with EN 60947-5-2**, connection equipment for low voltage.
- **Excellent visual indication** of open and closed valve via LED diodes.
- **Made of corrosion resistant material** (glass fibre reinforced plastic).
- **Easy mounting.**

MOUNTING KIT FOR PNEUMATIC ACTUATOR DVC TYPE 505

ACTUATOR SIZE	ITEM NO. BRACKET INCL. BOLTS AND WASHERS	ILLUSTRATION
505-40	NO BRACKETS REQUIRED	  <p>2 PCS. M5X25MM UMBRACOBOLT A2</p> <p>2 PCS. M5 LOCKING WASHER A2</p>
505-52	NO BRACKETS REQUIRED	
505-63	NO BRACKETS REQUIRED	
505-75	NO BRACKETS REQUIRED	
505-83	NO BRACKETS REQUIRED	
505-92	NO BRACKETS REQUIRED	
505-105	NO BRACKETS REQUIRED	
505-125	BRACKETS IN AISI 304	  <p>2 PCS. M5X50MM UMBRACOBOLT A2</p> <p>2 PCS. M5 LOCKING WASHER A2</p>
505-140	BRACKETS IN AISI 304	
505-160	BRACKETS IN AISI 304	
505-190	BRACKETS IN AISI 304	  <p>2 PCS. M5X10MM UMBRACOBOLT A2</p> <p>2 PCS. M5X25MM UMBRACOBOLT A2</p> <p>2 PCS. M5 LOCKING WASHER A2</p>
505-210	BRACKETS IN AISI 304	
505-240	BRACKETS IN AISI 304	
505-270	BRACKETS IN AISI 304	

TYPE 505 ACTUATORS FROM DVC ARE DELIVERED STANDARD WITH INDICATOR IN ABS AND STAINLESS STEEL ACTIVATION TARGET.

ELECTRICAL DIAGRAM

