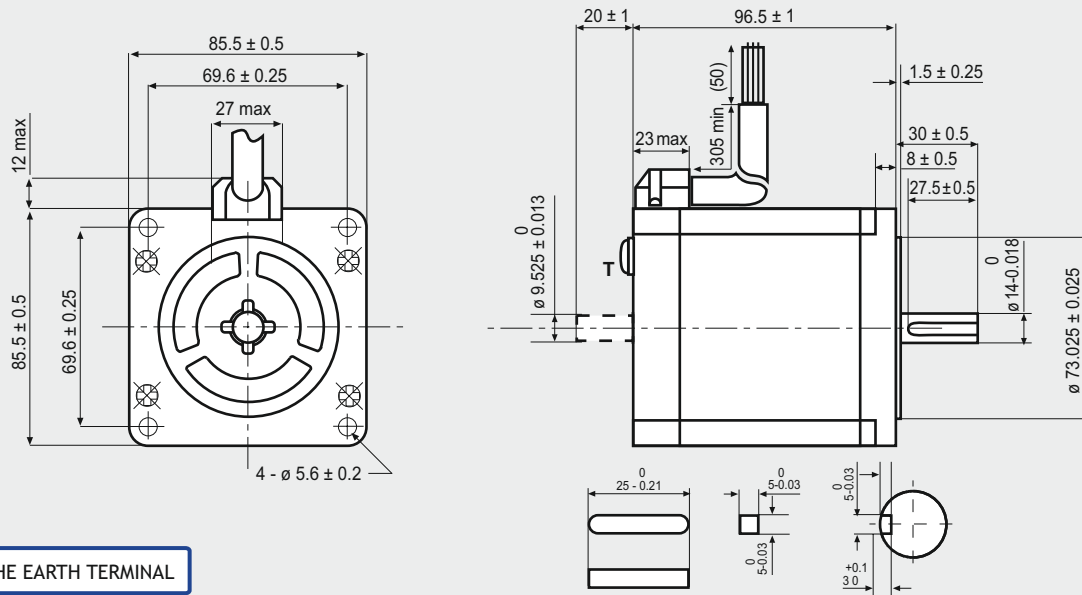


## Dimensions (Unit:mm)

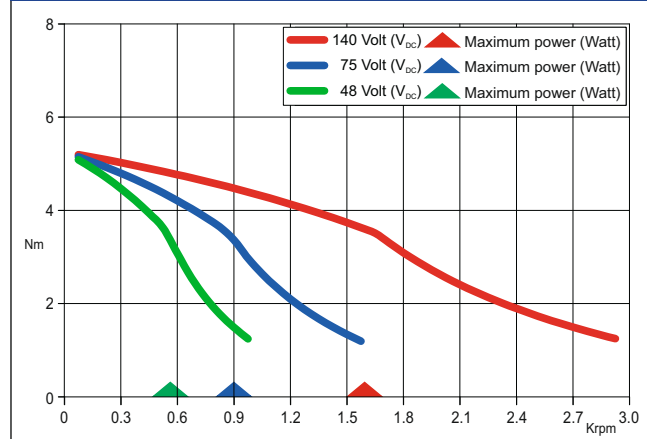


## FEATURES

MODEL	SM 2862-5255 (SM 2862-5225)	
BASIC STEP ANGLE	1.8° ± 0.09°	
BIPOLAR CURRENT	(Amp)	6.0
RESISTANCE	(Ohm)	0.36
INDUCTANCE	(mH)	2.8
BIPOLAR HOLDING TORQUE	(Ncm)	700
ROTOR INERTIA	(Kgm <sup>2</sup> × 10 <sup>-7</sup> )	3000
THEORETICAL ACCELERATION	(rad × sec. <sup>-2</sup> )	23300
BACK E.M.F.	(V/Krpm)	120
MASS	(Kg)	2.9
INTERNATIONAL STANDARDS	UL, CSA	
INSULATION VOLTAGE	(V)	250 V <sub>AC</sub> (350 V <sub>DC</sub> )
PROTECTION DEGREE	IP43-F	
LEADS CODE	V	

Codes between brackets refer to double shaft models.

## TORQUE/SPEED CURVE



R.T.A. s.r.l. PAVIA (ITALY) SANYO DENKI CO., Ltd (JAPAN)

Wiring diagram showing terminal colors: ORANGE, BLUE, RED, and YELLOW. The diagram includes a voltage symbol 'V'.

**C R US**

DOUBLE SHAFT MOTORS ONLY.  
4 X M4 THREADED HOLES. TAP DEPTH 4.5 mm.

## Suggested R.T.A. drive series: NDC, ADW, HGD, PLUS



R.T.A. s.r.l.  
Via E. Mattei - Frazz. Divisa  
27020 Marcignago (PV) (Italy)  
T +39.0382.929.855  
F +39.0382.929.150  
www.rta.it

R.T.A. Deutschland GmbH  
Bublitzter Strasse 34, 40599  
Duesseldorf (Germany)  
T +49.211.749.668.60  
F +49.211.749.668.66  
www.rta-deutschland.de

R.T.A. IBERICA  
C/Generalitat 22, Local 1  
08850 Gava - Barcelona (Spain)  
T +34 936.388.805  
F +34 936.334.595  
www.rta-iberica.es

R.T.A. INDIA Pvt  
Teerth Business Center 3<sup>rd</sup> Floor, Unit No. 7,  
Block EL-15, MIDC Bhosari Pimpri-Chinchwad,  
Pune 411026 (India)  
Tel. +91 9422507445  
www.rta-india.in