



MINIZED, Switch disconnecter with Fuse, D02, 3-pole, In: 63 A, Un AC: 400 V

Model	
product brand name	MINIZED
product designation	Switch disconnectors with fuses
General technical data	
number of poles	3
size of fuse system according to EN 60269-1	D02
overvoltage category	4
Voltage	
surge voltage resistance rated value	6 kV
Supply voltage	
operating voltage at AC rated value	400 V
Protection class	
protection class IP	IP20, with connected conductors
Dissipation	
power loss [W] for rated value of the current at AC in hot operating state per pole	7.5 W
Product details	
product feature sealable	Yes
Connections	
tightening torque with screw-type terminals	
• minimum	2.5 N·m
• maximum	3 N·m
Mechanical Design	
height	70 mm
width	81 mm
depth	90 mm
mounting position	any, preferably vertical
net weight	455 g
Approvals Certificates	
General Product Approval	Marine / Shipping



[Confirmation](#)



other

Environment

[Miscellaneous](#)

[Confirmation](#)

[Environmental Con-](#)

Further information

Information on the packaging

<https://support.industry.siemens.com/cs/ww/en/view/109813875>

Information- and Downloadcenter (Catalogs, Brochures,...)

<http://www.siemens.com/lowvoltage/catalogs>

Industry Mall (Online ordering system)

<https://mall.industry.siemens.com/mall/en/en/Catalog/product?mlfb=5SG7133>

Service&Support (Manuals, Certificates, Characteristics, FAQs,...)

<https://support.industry.siemens.com/cs/ww/en/ps/5SG7133>

Image database (product images, 2D dimension drawings, 3D models, device circuit diagrams, ...)

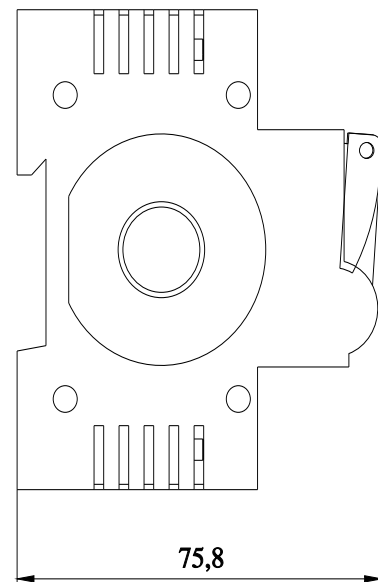
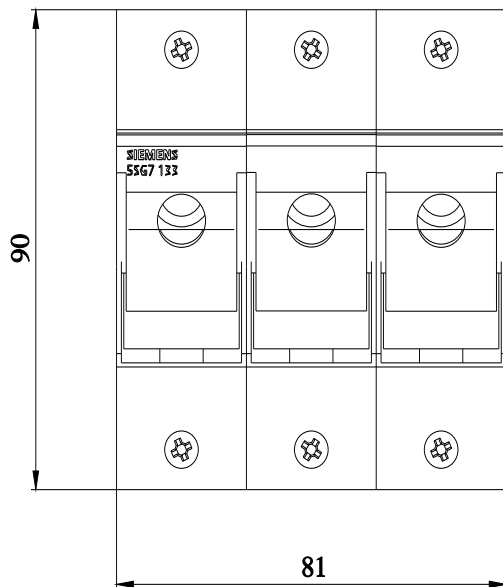
http://www.automation.siemens.com/bilddb/cax_en.aspx?mlfb=5SG7133

CAx-Online-Generator

<http://www.siemens.com/cax>

Tender specifications

<http://www.siemens.com/specifications>



last modified:

6/24/2022

