

Siemens  
EcoTech



Backing plate round, for EMERGENCY STOP mushroom pushbutton, yellow, self-adhesive, Outer diameter 75 mm, inside diameter 23 mm, with inscription: EMERGENCY STOP



product brand name	SIRIUS ACT
product designation	EMERGENCY STOP backing plate
product type designation	3SU1

**General technical data**

shock resistance for railway applications according to EN 61373	Category 1, Class B
vibration resistance for railway applications according to EN 61373	Category 1, Class B
Substance Prohibitance (Date)	10/01/2014

**Ambient conditions**

ambient temperature	
<ul style="list-style-type: none"> <li>during operation</li> </ul>	70 ... -25 °C
<ul style="list-style-type: none"> <li>during storage and transport</li> </ul>	80 ... -40 °C

**Environmental footprint**

Environmental Product Declaration (EPD)	Yes
Global Warming Potential [CO2 eq] total	0.787 kg
Global Warming Potential [CO2 eq] during manufacturing	0.566 kg
Global Warming Potential [CO2 eq] during operation	0.235 kg
Global Warming Potential [CO2 eq] after end of life	-0.015 kg
Siemens Eco Profile (SEP)	Siemens EcoTech

**Accessories**

material of accessory	Plastic
fastening method of label	stick
marking of backing plate	EMERGENCY STOP
shape of backing plate	Round
color of backing plate	yellow (plate); black (text)
product function illuminated backing plate	No

**Approvals Certificates**

**General Product Approval**



[Confirmation](#)



Test Certificates	Marine / Shipping
-------------------	-------------------



other

Environment

[Confirmation](#)



Siemens  
EcoTech



### Further information

Information on the packaging

<https://support.industry.siemens.com/cs/ww/en/view/109813875>

Information- and Downloadcenter (Catalogs, Brochures,...)

<https://www.siemens.com/ic10>

Industry Mall (Online ordering system)

<https://mall.industry.siemens.com/mall/en/en/Catalog/product?mlfb=3SU1900-0BC31-0DA0>

Cax online generator

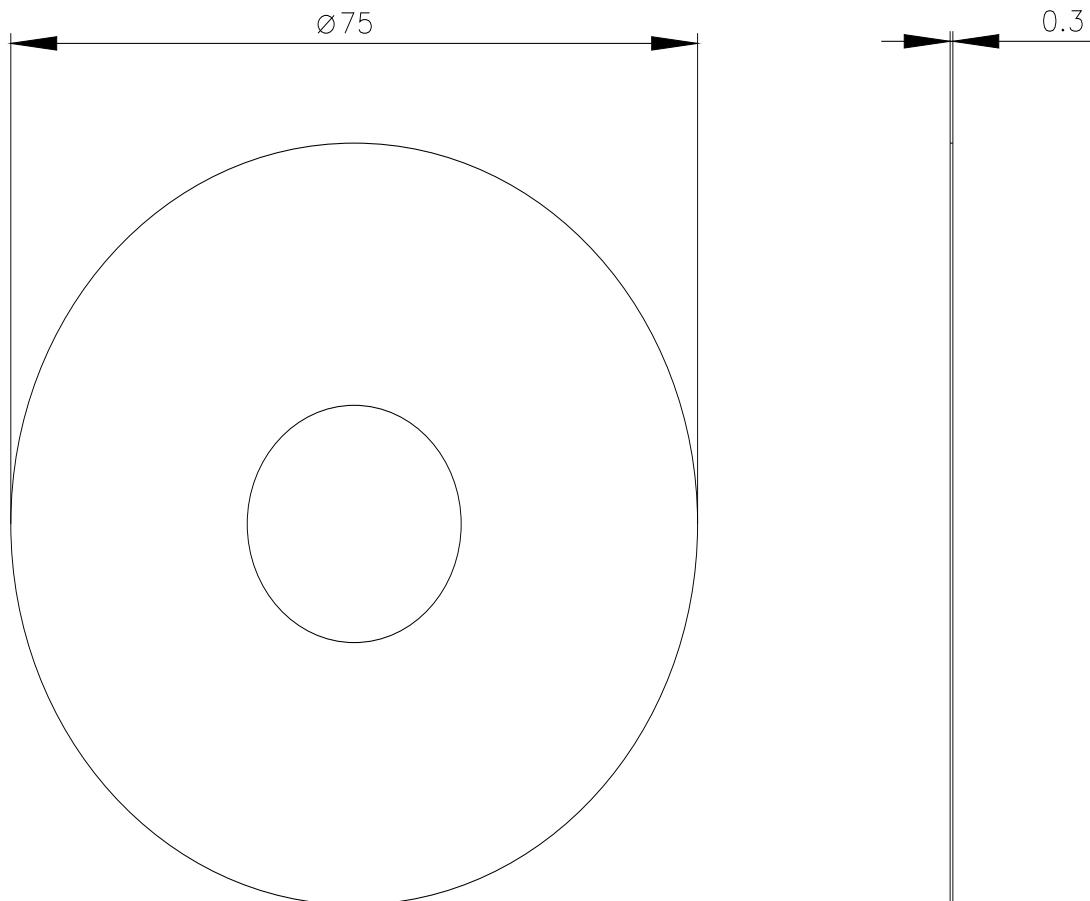
<http://support.automation.siemens.com/WW/CAXorder/default.aspx?lang=en&mlfb=3SU1900-0BC31-0DA0>

Service&Support (Manuals, Certificates, Characteristics, FAQs,...)

<https://support.industry.siemens.com/cs/ww/en/ps/3SU1900-0BC31-0DA0>

Image database (product images, 2D dimension drawings, 3D models, device circuit diagrams, EPLAN macros, ...)

[http://www.automation.siemens.com/bilddb/cax\\_de.aspx?mlfb=3SU1900-0BC31-0DA0&lang=en](http://www.automation.siemens.com/bilddb/cax_de.aspx?mlfb=3SU1900-0BC31-0DA0&lang=en)



last modified:

2/7/2024