



power relay, AC-3, 8.4 A, 4 kW / 400 V, 3-pole, 24 V DC, auxiliary contacts: 1 NC, screw terminal

consumed active power	4 W
reference code according to IEC 81346-2	K
Substance Prohibitance (Date)	07/01/2006
SVHC substance name	Blei - 7439-92-1
ambient temperature during operation	-25 ... +55 °C
number of poles	4
number of NO contacts for main contacts	3
number of NC contacts for main contacts	0
type of voltage	DC
operational current	
• at AC-1 at 400 V rated value	20 A
• at AC-3 at 400 V rated value	8.4 A
• at AC-3e at 400 V rated value	6.4 A
operating power	
• at AC-3 at 400 V rated value	4 kW
• at AC-3e at 400 V rated value	3 W
control supply voltage at DC rated value	24 ... 24 V
number of NC contacts for auxiliary contacts	1
number of NO contacts for auxiliary contacts	0
number of CO contacts for auxiliary contacts	0
• fastening method	screw and snap-on mounting onto 35 mm DIN rail
• fastening method side-by-side mounting	Yes
height	62 mm
width	36 mm
depth	60 mm
type of electrical connection	
• for main current circuit	screw-type terminals
• for auxiliary and control circuit	screw-type terminals
Electrical Safety	
protection class IP on the front according to IEC 60529	IP00
Approvals Certificates	
General Product Approval	



[Confirmation](#)





Further information

Information on the packaging

<https://support.industry.siemens.com/cs/ww/en/view/109813875>

Information- and Downloadcenter (Catalogs, Brochures,...)

<https://www.siemens.com/ic10>

Industry Mall (Online ordering system)

<https://mall.industry.siemens.com/mall/en/en/Catalog/product?mlfb=3TG1001-0BB4>

Cax online generator

<http://support.automation.siemens.com/WW/CAXorder/default.aspx?lang=en&mlfb=3TG1001-0BB4>

Service&Support (Manuals, Certificates, Characteristics, FAQs,...)

<https://support.industry.siemens.com/cs/ww/en/ps/3TG1001-0BB4>

Image database (product images, 2D dimension drawings, 3D models, device circuit diagrams, EPLAN macros, ...)

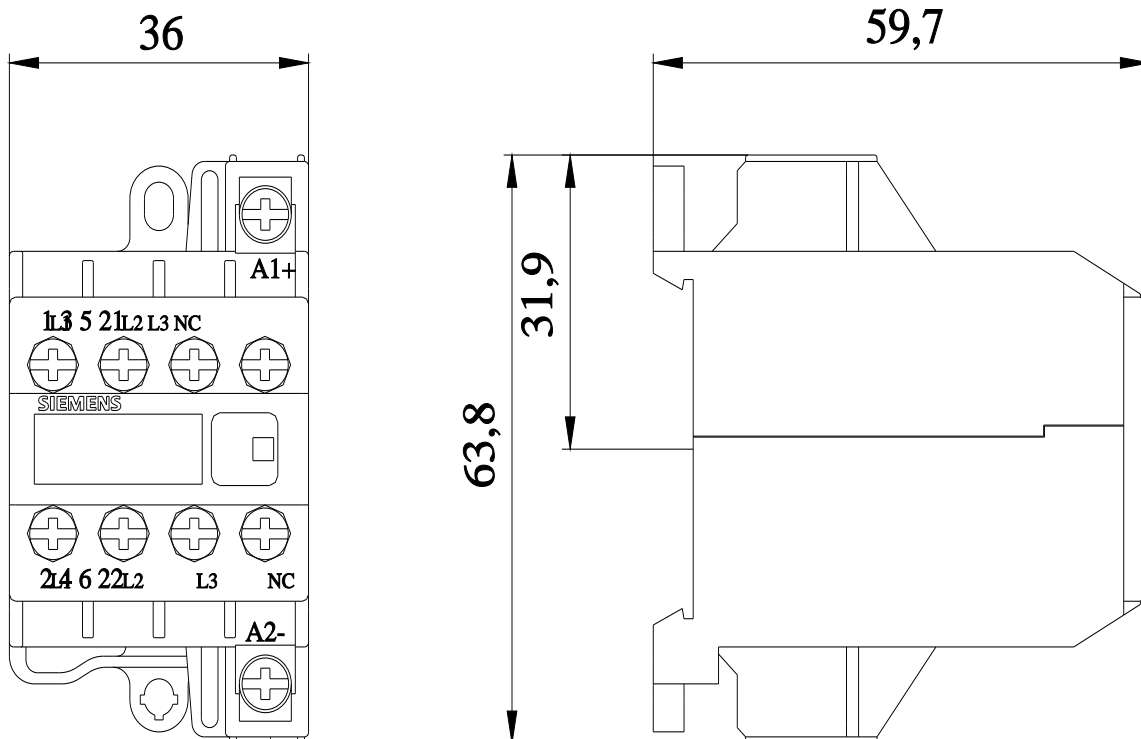
http://www.automation.siemens.com/bilddb/cax_de.aspx?mlfb=3TG1001-0BB4&lang=en

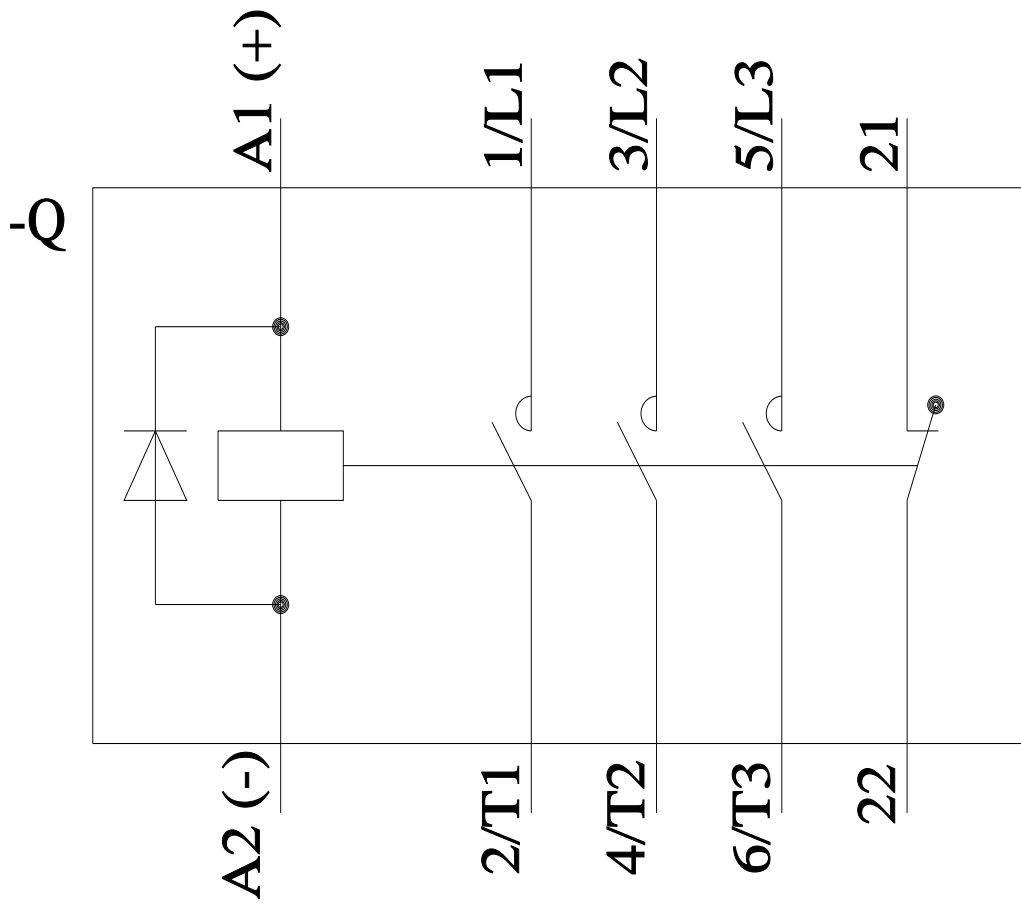
Characteristic: Tripping characteristics, I²t, Let-through current

<https://support.industry.siemens.com/cs/ww/en/ps/3TG1001-0BB4/char>

Further characteristics (e.g. electrical endurance, switching frequency)

<http://www.automation.siemens.com/bilddb/index.aspx?view=Search&mlfb=3TG1001-0BB4&objecttype=14&gridview=view1>





last modified:

9/5/2023 