

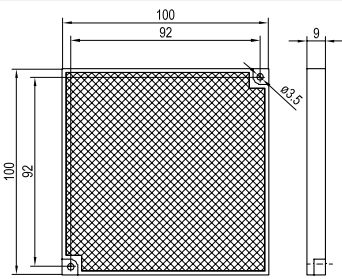
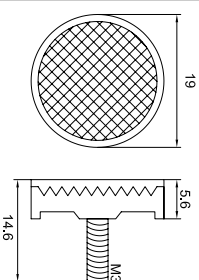
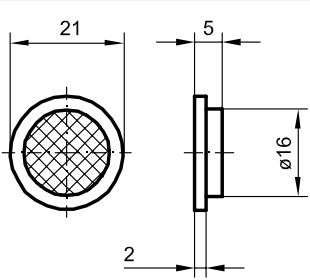
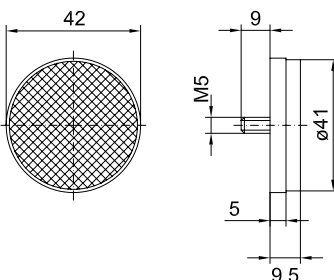
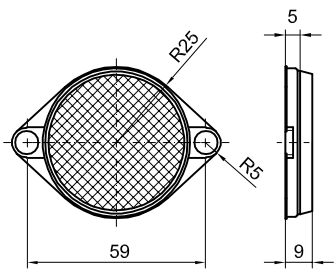
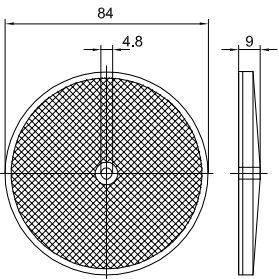
Accessories

Reflectors



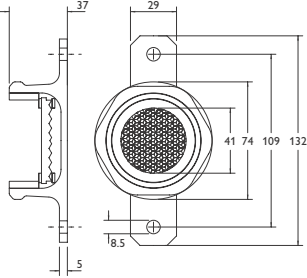
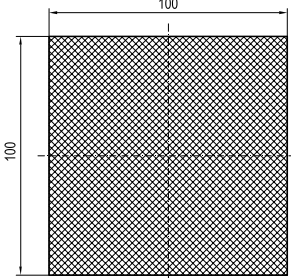
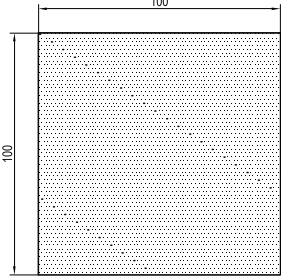
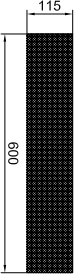
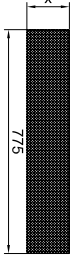
- Reflectors
- Lenses / Protective casings
- Illumination

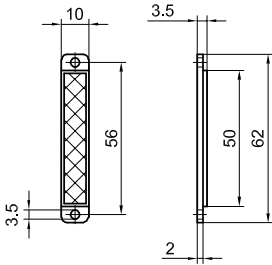
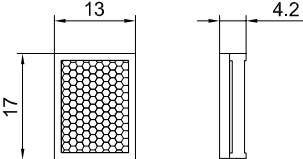
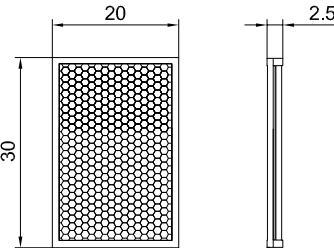
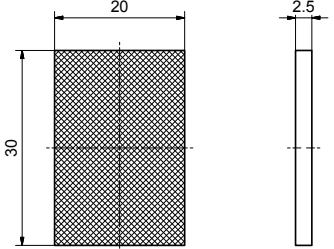
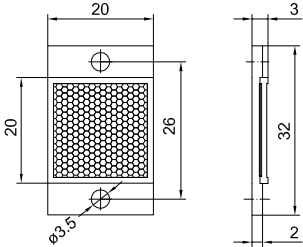
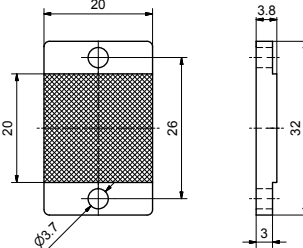
Reflectors for LED Retroreflective photoelectric sensor		
<p style="text-align: right;">153-00068</p>	<p>Part number / Article number</p> <p>Description</p> <p>Dimensions</p> <p>Mounting</p> <p>Temperature range</p> <p>Suitable for</p>	<p>R1 / 904-51532</p> <p>Reflector in housing</p> <p>19 x 73 x 8 mm³</p> <p>2 mounting holes M3</p> <p>-20 ... +60 °C</p> <p>Retroreflective photoelectric sensor (LED)</p>
<p style="text-align: right;">153-00069</p>	<p>Part number / Article number</p> <p>Description</p> <p>Dimensions</p> <p>Mounting</p> <p>Temperature range</p> <p>Suitable for</p>	<p>R5 / 904-51533</p> <p>Reflector in housing</p> <p>51 x 61 x 8 mm³</p> <p>2 mounting holes</p> <p>-20 ... +60 °C</p> <p>Retroreflective photoelectric sensor (LED)</p>
<p style="text-align: right;">153-00816</p>	<p>Part number / Article number</p> <p>Description</p> <p>Dimensions</p> <p>Mounting</p> <p>Temperature range</p> <p>Suitable for</p>	<p>R50 BC / 904-51641</p> <p>Reflector, chemically resistant for critical cleaning processes</p> <p>51 x 69 x 8.1 mm³</p> <p>6 mounting holes</p> <p>-20 ... +140 °C</p> <p>Retroreflective photoelectric sensor (LED)</p> <p style="text-align: right;">ECOLAB</p>
<p style="text-align: right;">153-00817</p>	<p>Part number / Article number</p> <p>Description</p> <p>Dimensions</p> <p>Mounting</p> <p>Temperature range</p> <p>Suitable for</p>	<p>R100 BC / 904-51642</p> <p>Reflector, chemically resistant for critical cleaning processes</p> <p>100 x 100 x 9.2 mm³</p> <p>2 mounting holes</p> <p>-20 ... +140 °C</p> <p>Retroreflective photoelectric sensor (LED)</p> <p style="text-align: right;">ECOLAB</p>

Reflectors for LED Retroreflective photoelectric sensor		
 <p style="text-align: right;">153-00557</p>	<p>Part number / Article number</p> <p>Description</p> <p>Dimensions</p> <p>Mounting</p> <p>Temperature range</p> <p>Suitable for</p>	<p>R10 / 904-51637 R10 / 2 (2 × R10) / 904-51636</p> <p>Reflector in housing 100 × 100 × 9 mm³ 2 mounting holes -40 ... +70 °C</p> <p>Retroreflective photoelectric sensor (LED) FR 85</p>
 <p style="text-align: right;">153-01014</p>	<p>Part number / Article number</p> <p>Description</p> <p>Dimensions</p> <p>Mounting</p> <p>Temperature range</p> <p>Suitable for</p>	<p>RD2-G / 904-51567</p> <p>Reflector in housing Ø 19 × 5.6 mm³ Grub screw M3, centred -20 ... +60 °C</p> <p>Retroreflective photoelectric sensor (LED)</p>
 <p style="text-align: right;">153-00066</p>	<p>Part number / Article number</p> <p>Description</p> <p>Dimensions</p> <p>Mounting</p> <p>Temperature range</p> <p>Suitable for</p>	<p>RD2 / 904-51534</p> <p>Reflector in housing Ø 21 × 5 mm³ Self-adhesive -20 ... +60 °C</p> <p>Retroreflective photoelectric sensor (LED)</p>
 <p style="text-align: right;">153-00067</p>	<p>Part number / Article number</p> <p>Description</p> <p>Dimensions</p> <p>Mounting</p> <p>Temperature range</p> <p>Suitable for</p>	<p>RD4 / 904-51535</p> <p>Reflector in housing Ø 42 × 9.5 mm³ Grub screw M5, centred -20 ... +60 °C</p> <p>Retroreflective photoelectric sensor (LED)</p>
 <p style="text-align: right;">153-00355</p>	<p>Part number / Article number</p> <p>Description</p> <p>Dimensions</p> <p>Mounting</p> <p>Temperature range</p> <p>Suitable for</p>	<p>RD46 / 904-51572</p> <p>Reflector in housing Ø 46 × 9 mm³ 2 mounting holes -20 ... +60 °C</p> <p>Retroreflective photoelectric sensor (LED)</p>
 <p style="text-align: right;">153-00070</p>	<p>Part number / Article number</p> <p>Description</p> <p>Dimensions</p> <p>Mounting</p> <p>Temperature range</p> <p>Suitable for</p>	<p>RD8 / 904-51531</p> <p>Reflector in housing Ø 84 × 9 mm³ 1 mounting hole, centred -20 ... +60 °C</p> <p>Retroreflective photoelectric sensor (LED)</p>

Accessories

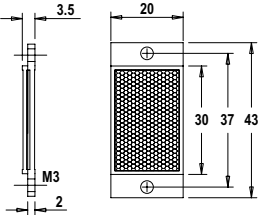
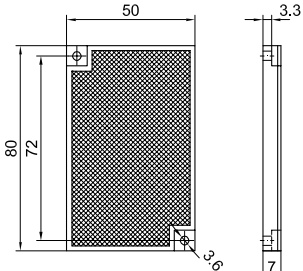
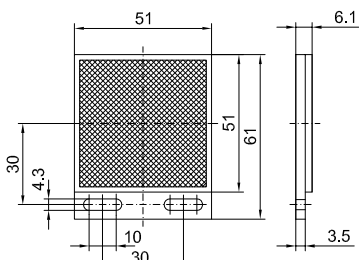
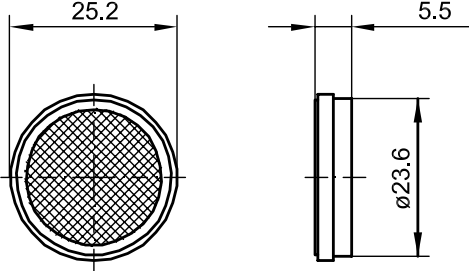
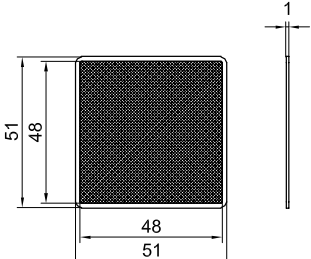
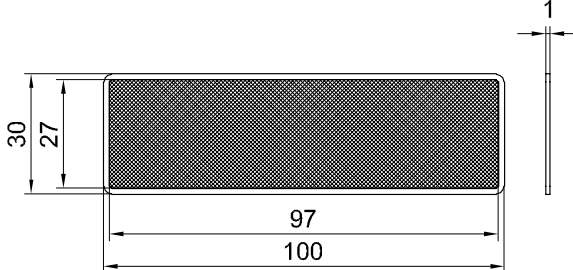
Reflectors

Reflectors for LED Retroreflective photoelectric sensor (Cont.)		
 <p>153-00775</p>	<p>Part number / Article number</p> <p>Description</p> <p>Dimensions</p> <p>Mounting</p> <p>Temperature range</p> <p>Suitable for</p>	<p>R128 / 904-51550</p> <p>Reflector in housing, with protective glass for high robustness and high temperatures Ø 41 mm active area 2 mounting holes -20 ... +300 °C</p> <p>Retroreflective photoelectric sensor (LED)</p>
 <p>153-00071</p>	<p>Part number / Article number</p> <p>Description</p> <p>Dimensions</p> <p>Mounting</p> <p>Temperature range</p> <p>Suitable for</p>	<p>RF 10 / 904-51536</p> <p>Reflective tape 100 x 100 mm² Self-adhesive -34 ... +70 °C</p> <p>Retroreflective photoelectric sensor (LED)</p>
 <p>153-00556</p>	<p>Part number / Article number</p> <p>Description</p> <p>Dimensions</p> <p>Mounting</p> <p>Temperature range</p> <p>Suitable for</p>	<p>RF 10C / 904-51633</p> <p>Reflective tape for FT 50 C colour sensor 100 x 100 mm² Self-adhesive -40 ... +70 °C</p> <p>FT 50 C</p>
 <p>153-01012</p>	<p>Part number / Article number</p> <p>Description</p> <p>Dimensions</p> <p>Mounting</p> <p>Temperature range</p> <p>Suitable for</p>	<p>RF 600x115 / 904-51540</p> <p>Reflective tape for FMS 200-01 Analogue 600 x 115 mm² Self-adhesive -40 ... +70 °C</p> <p>Retroreflective photoelectric sensor (LED)</p>
 <p>153-01015</p>	<p>Part number / Article number</p> <p>Description</p> <p>Dimensions</p> <p>Mounting</p> <p>Temperature range</p> <p>Suitable for</p>	<p>RF 775x ... mm / 904-51643</p> <p>Reflective tape, choice of length, weatherproof 775 x x mm² Self-adhesive -40 ... +70 °C</p> <p>Retroreflective photoelectric sensor (LED)</p>

Reflectors for laser Retroreflective photoelectric sensor		
 <p style="text-align: right;">153-00280</p>	<p>Part number / Article number</p> <p>Description</p> <p>Dimensions</p> <p>Mounting</p> <p>Temperature range</p> <p>Suitable for</p>	<p>R1L / 904-51559</p> <p>Reflector in housing 10 × 62 × 3.5 mm³ 2 mounting holes -20 ... +60 °C</p> <p>Retroreflective photoelectric sensor (laser)</p>
 <p style="text-align: right;">153-00771</p>	<p>Part number / Article number</p> <p>Description</p> <p>Dimensions</p> <p>Mounting</p> <p>Temperature range</p> <p>Suitable for</p>	<p>R2-1LK / 904-51587</p> <p>Reflector in housing 13 × 17 × 4.2 mm³ Self-adhesive -20 ... +60 °C</p> <p>Retroreflective photoelectric sensor (laser)</p>
 <p style="text-align: right;">153-00772</p>	<p>Part number / Article number</p> <p>Description</p> <p>Dimensions</p> <p>Mounting</p> <p>Temperature range</p> <p>Suitable for</p>	<p>R3-2LK / 904-51588</p> <p>Reflector in housing 20 × 30 × 2.5 mm³ Self-adhesive -20 ... +60 °C</p> <p>Retroreflective photoelectric sensor (laser)</p>
 <p style="text-align: right;">153-01047</p>	<p>Part number / Article number</p> <p>Description</p> <p>Dimensions</p> <p>Mounting</p> <p>Temperature range</p> <p>Suitable for</p>	<p>R3-2LK1 / 904-51596</p> <p>Reflector in housing with very fine structure 20 × 30 × 2.5 mm³ Self-adhesive -20 ... +60 °C</p> <p>Retroreflective photoelectric sensor (laser)</p>
 <p style="text-align: right;">153-00773</p>	<p>Part number / Article number</p> <p>Description</p> <p>Dimensions</p> <p>Mounting</p> <p>Temperature range</p> <p>Suitable for</p>	<p>R2-2LB / 904-51586</p> <p>Reflector in housing 20 × 32 × 3 mm³ 2 mounting holes -20 ... +60 °C</p> <p>Retroreflective photoelectric sensor (laser)</p>
 <p style="text-align: right;">153-001046</p>	<p>Part number / Article number</p> <p>Description</p> <p>Dimensions</p> <p>Mounting</p> <p>Temperature range</p> <p>Suitable for</p>	<p>R2-2LB1 / 904-51595</p> <p>Reflector in housing with very fine structure 20 × 32 × 3.8 mm³ 2 mounting holes -20 ... +60 °C</p> <p>Retroreflective photoelectric sensor (laser)</p>

Accessories

Reflectors

Reflectors for laser Retroreflective photoelectric sensor (Cont.)		
 <p style="text-align: right;">153-00774</p>	<p>Part number / Article number</p> <p>Description</p> <p>Dimensions</p> <p>Mounting</p> <p>Temperature range</p> <p>Suitable for</p>	<p>R3-2LB / 904-51585</p> <p>Reflector in housing</p> <p>20 × 43 × 3.5 mm³</p> <p>2 mounting holes</p> <p>-20 ... +60 °C</p> <p>Retroreflective photoelectric sensor (laser)</p>
 <p style="text-align: right;">153-00544</p>	<p>Part number / Article number</p> <p>Description</p> <p>Dimensions</p> <p>Mounting</p> <p>Temperature range</p> <p>Suitable for</p>	<p>R5-8/L / 904-51576</p> <p>Reflector in housing</p> <p>50 × 80 × 7 mm³</p> <p>2 mounting holes</p> <p>-20 ... +60 °C</p> <p>Retroreflective photoelectric sensor (laser)</p>
 <p style="text-align: right;">153-00242</p>	<p>Part number / Article number</p> <p>Description</p> <p>Dimensions</p> <p>Mounting</p> <p>Temperature range</p> <p>Suitable for</p>	<p>R5L / 904-51543</p> <p>Reflector in housing</p> <p>51 × 61 × 6.1 mm³</p> <p>2 mounting holes (slots)</p> <p>-20 ... +60 °C</p> <p>Retroreflective photoelectric sensor (laser)</p>
 <p style="text-align: right;">153-00699</p>	<p>Part number / Article number</p> <p>Description</p> <p>Dimensions</p> <p>Mounting</p> <p>Temperature range</p> <p>Suitable for</p>	<p>RD-25 KL / 904-51589</p> <p>Reflector in housing</p> <p>Ø 25.2 × 5.5 mm³</p> <p>Self-adhesive</p> <p>-20 ... +60 °C</p> <p>Retroreflective photoelectric sensor (laser)</p>
 <p style="text-align: right;">153-00701</p>	<p>Part number / Article number</p> <p>Description</p> <p>Dimensions</p> <p>Mounting</p> <p>Temperature range</p> <p>Suitable for</p>	<p>RF-50 KL / 904-51590</p> <p>Reflective tape</p> <p>51 × 51 mm²</p> <p>Self-adhesive</p> <p>-40 ... +70 °C</p> <p>Retroreflective photoelectric sensor (laser)</p>
 <p style="text-align: right;">153-00950</p>	<p>Part number / Article number</p> <p>Description</p> <p>Dimensions</p> <p>Mounting</p> <p>Temperature range</p> <p>Suitable for</p>	<p>RF-30x100 KL / 904-51592</p> <p>Reflective tape</p> <p>100 × 30 mm²</p> <p>Self-adhesive</p> <p>-40 ... +70 °C</p> <p>Retroreflective photoelectric sensor (laser)</p>

Reflectors für time-of-flight devices (Cont.)		
<p style="text-align: right;">153-00486</p>	<p>Part number / Article number</p> <p>Description</p> <p>Dimensions</p> <p>Mounting</p> <p>Temperature range</p> <p>Suitable for</p>	<p>RL 660 / 904-51564</p> <p>Reflector for ranges up to 200 m</p> <p>660 x 660 x 4,5 mm³</p> <p>4 mounting holes</p> <p>-20 ... +60 °C</p> <p>FR 90, FR 91, FR 92</p>
<p style="text-align: right;">153-00487</p>	<p>Part number / Article number</p> <p>Description</p> <p>Dimensions</p> <p>Mounting</p> <p>Temperature range</p> <p>Suitable for</p>	<p>RL 700 / 904-51570</p> <p>Reflector in housing for ranges up to 250 m</p> <p>700 x 700 x 5,6 mm³</p> <p>4 mounting holes</p> <p>-20 ... +60 °C</p> <p>FR 90, FR 91, FR 92</p>
<p style="text-align: right;">153-00488</p>	<p>Part number / Article number</p> <p>Description</p> <p>Dimensions</p> <p>Mounting</p> <p>Temperature range</p> <p>Suitable for</p>	<p>RF 250 / 599-91009</p> <p>Reflective tape for ranges up to 50 m</p> <p>250 x 250 mm²</p> <p>Self-adhesive</p> <p>-20 ... +60 °C</p> <p>FR 90, FR 91</p>
<p style="text-align: right;">153-00488</p>	<p>Part number / Article number</p> <p>Description</p> <p>Dimensions</p> <p>Mounting</p> <p>Temperature range</p> <p>Suitable for</p>	<p>RF 250/V / 904-51579</p> <p>Reflective tape for ranges up to 30 m</p> <p>250 x 250 mm²</p> <p>Self-adhesive</p> <p>-20 ... +60 °C</p> <p>FR 92</p>
<p style="text-align: right;">153-01010</p>	<p>Part number / Article number</p> <p>Description</p> <p>Dimensions</p> <p>Mounting</p> <p>Temperature range</p> <p>Suitable for</p>	<p>Reflective tape / 904-51548</p> <p>Reflective tape</p> <p>600 x 76 mm²</p> <p>Self-adhesive</p> <p>-40 ... +70 °C</p> <p>FR 85</p>

Mounting of the reflectors as shown in the dimensional drawing or alignment according to labeling on reflector front.