

52107900	DATA SHEET	
Valid from: 03.07.2018	SKINDICHT® SVFK-M	

The SKINDICHT® SVFK is a flat cable gland for application range: Conveyor systems, pumps, elevators, switch cabinet building. The special feature of this flat cable gland is its dimensional adaptability. The lateral sealing lips fit automatically. It is even possible to fit two flat cables with one gland. Cable specific seal dimensions are no longer necessary.



Components:

Gland body	Polyamide
Pressure screw	Polyamide
Flat cable washers	Steel, zinc-plated
Flat cable sealing insert	CR

Technical features:

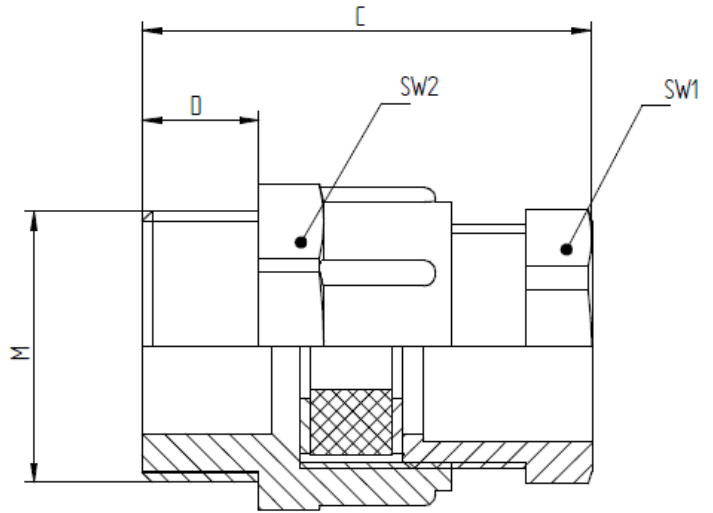
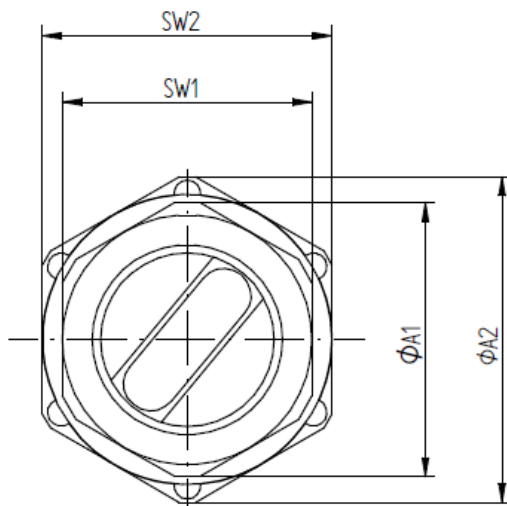
Connecting thread	M25x1,5 up to M63x1,5 acc. to EN 60423
Temperature range	-30 °C up to +80 °C
Colour	Light grey, RAL 7035

Norm references:



Creator: T. Dvoulety /PDP Released: DAMU1/PDP	Document: DB52107900_1EN Version: 02	Page 1 of 2
--	---	-------------

52107900	DATA SHEET	
Valid from: 03.07.2018	SKINDICHT® SVFK-M	



M	SW1 [mm]	SW2 [mm]	Ø A1 [mm]	Ø A2 [mm]	C [mm]	D [mm]	Cable width [mm]	Cable thickness [mm]	Article No.
M25x1,5	23	27	25,2	29,5	41,0	11	0-15	0-5	52107900
M32x1,5	30	36	32,4	40,0	39,0	10	10-21	3-8	52107901
M40x1,5	40	42	43,0	45,5	44,0	11	16-28	4-11,5	52107902
M50x1,5	50	53	54,2	57,0	50,5	11	26-35	4-11,5	52107903
M50x1,5	55	60	59,3	65,0	53,5	11	30-40	5-12	52107904
M63x1,5	60	65	65,0	69,7	54,5	11	36-45	5-12	52107905

For more information please see our current catalogue. Please do not hesitate to contact our laboratory if there are any questions regarding resistance against aggressive agents and special oil.

Creator: T. Dvoulety /PDP Released: DAMU1/PDP	Document: DB52107900_1EN Version: 02	Page 2 of 2
--	---	-------------