



standard actuator for all safety switches RFID 3SE63 rectangular 91 mm x 25 mm without magnet latching

product brand name	SIRIUS
product designation	RFID safety switch
design of the product	RFID actuators
product type designation	3SE63

General technical data

product feature	Without magnetic latching
protection class IP	IP65, IP67, IP69k
Substance Prohibition (Date)	07/01/2006
height of the sensor	22 mm
length of the sensor	91 mm
width of the sensor	25 mm
material of the active sensor area	plastic

Ambient conditions

ambient temperature during operation	-25 ... +70 °C
--------------------------------------	----------------

Enclosure

material of the enclosure	plastic
material of cable sheath	PVC

Installation/ mounting/ dimensions

fastening method	screw fixing
transmission frequency rated value	125 kHz

Certificates/ approvals

General Product Approval	EMC	Functional Safety/Safety of Machinery	Declaration of Conformity
--------------------------	-----	---------------------------------------	---------------------------

[Confirmation](#)



[Type Examination Certificate](#)



Declaration of Conformity	other
---------------------------	-------



[Confirmation](#)

Further information

Siemens has decided to exit the Russian market (see here).
<https://press.siemens.com/global/en/pressrelease/siemens-wind-down-russian-business>

Siemens is working on the renewal of the current EAC certificates.

Please contact your local Siemens office on the status of validity of the EAC certification if you intend to import or offer to supply these products to an EAC relevant market (other than the sanctioned EAEU member states Russia or Belarus).

Information on the packaging

<https://support.industry.siemens.com/cs/ww/en/view/109813875>

Information- and Downloadcenter (Catalogs, Brochures,...)

<https://www.siemens.com/ic10>

Industry Mall (Online ordering system)

<https://mall.industry.siemens.com/mall/en/en/Catalog/product?mlfb=3SE6310-0BC01>

Cax online generator

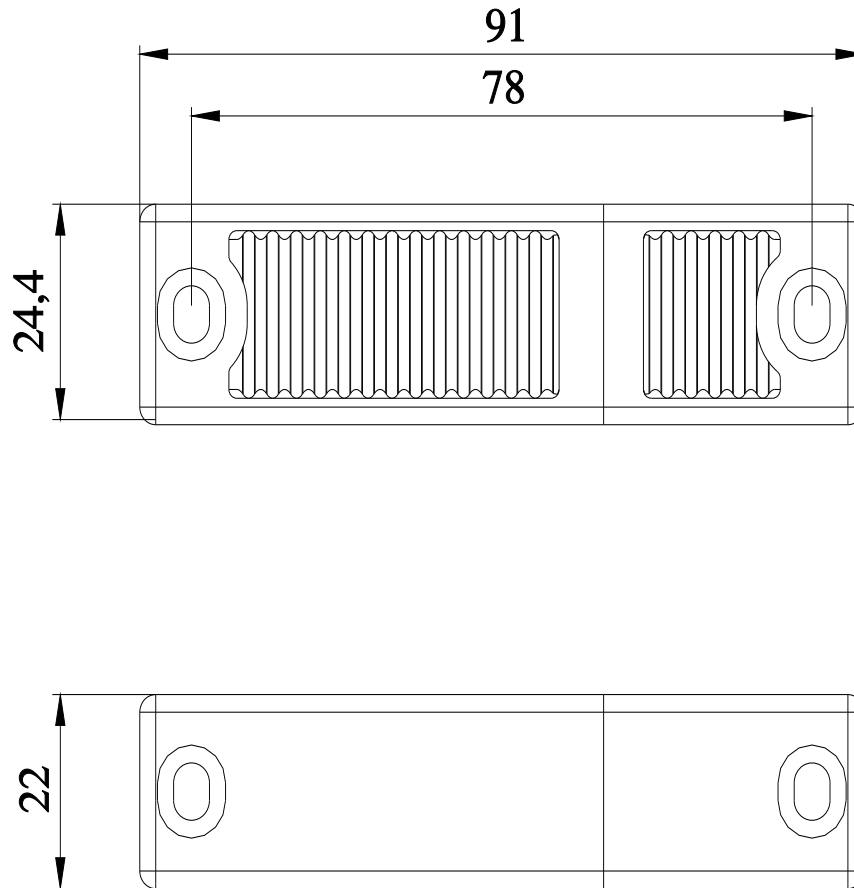
<http://support.automation.siemens.com/WW/CAXorder/default.aspx?lang=en&mlfb=3SE6310-0BC01>

Service&Support (Manuals, Certificates, Characteristics, FAQs,...)

<https://support.industry.siemens.com/cs/ww/en/ps/3SE6310-0BC01>

Image database (product images, 2D dimension drawings, 3D models, device circuit diagrams, EPLAN macros, ...)

http://www.automation.siemens.com/bilddb/cax_de.aspx?mlfb=3SE6310-0BC01&lang=en



last modified:

12/18/2020 