



Indicator lights, 22 mm, round, metal, shiny, white, lens, smooth

| | |
|--|--|
| product brand name | SIRIUS ACT |
| product designation | Indicator lights |
| design of the product | Actuating/signaling element |
| product type designation | 3SU1 |
| product line | Metal, shiny, 22 mm |
| Actuator | |
| product extension optional | |
| • light source | Yes |
| • contact module | No |
| color | |
| • of the actuating element | white |
| material of the actuating element | plastic |
| shape of the actuating element | round |
| outer diameter of the actuating element | 29.45 mm |
| Front ring | |
| product component front ring | No |
| General technical data | |
| protection class IP | IP66, IP67, IP69(IP69K) |
| degree of protection NEMA rating | 1, 2, 3, 3R, 4, 4X, 12, 13 |
| shock resistance | |
| • according to IEC 60068-2-27 | sinusoidal half-wave 15g / 11 ms |
| vibration resistance | |
| • according to IEC 60068-2-6 | 10 ... 500 Hz: 5g |
| reference code according to IEC 81346-2 | P |
| Substance Prohibitance (Date) | 10/01/2014 |
| Connections/ Terminals | |
| tightening torque of the screws in the bracket | 1 ... 1.2 N·m |
| Ambient conditions | |
| ambient temperature | |
| • during operation | -25 ... +70 °C |
| • during storage | -40 ... +80 °C |
| environmental category during operation according to IEC 60721 | 3M6, 3S2, 3B2, 3C3, 3K6 (with relative air humidity of 10 ... 95%) |
| Environmental footprint | |
| Environmental Product Declaration(EPD) | Yes |
| Global Warming Potential [CO2 eq] total | 0.593 kg |
| Global Warming Potential [CO2 eq] during manufacturing | 0.625 kg |
| Global Warming Potential [CO2 eq] during operation | 0.235 kg |
| global warming potential [CO2 eq] after end of life | -0.267 kg |
| Installation/ mounting/ dimensions | |

| | |
|---|---------|
| height | 29.5 mm |
| width | 29.5 mm |
| shape of the installation opening | round |
| mounting diameter | 22.3 mm |
| positive tolerance of installation diameter | 0.4 mm |
| mounting height | 11.8 mm |
| installation width | 29.5 mm |
| installation depth | 24.4 mm |

Approvals Certificates

| | |
|--------------------------|---------------------------|
| General Product Approval | Declaration of Conformity |
|--------------------------|---------------------------|



[Confirmation](#)



EG-Konf.

| | | |
|-------------------|-------------------|-------|
| Test Certificates | Marine / Shipping | other |
|-------------------|-------------------|-------|

[Type Test Certificates/Test Report](#)



ABS



LRS



PRS



RINA

[Confirmation](#)

Environment

[Environmental Confirmations](#)

Further information

Siemens has decided to exit the Russian market (see here).

<https://press.siemens.com/global/en/pressrelease/siemens-wind-down-russian-business>

Siemens is working on the renewal of the current EAC certificates.

Please contact your local Siemens office on the status of validity of the EAC certification if you intend to import or offer to supply these products to an EAC relevant market (other than the sanctioned EAEU member states Russia or Belarus).

Information on the packaging

<https://support.industry.siemens.com/cs/ww/en/view/109813875>

Information- and Downloadcenter (Catalogs, Brochures,...)

<https://www.siemens.com/ic10>

Industry Mall (Online ordering system)

<https://mall.industry.siemens.com/mall/en/en/Catalog/product?mlfb=3SU1051-6AA60-0AA0>

Cax online generator

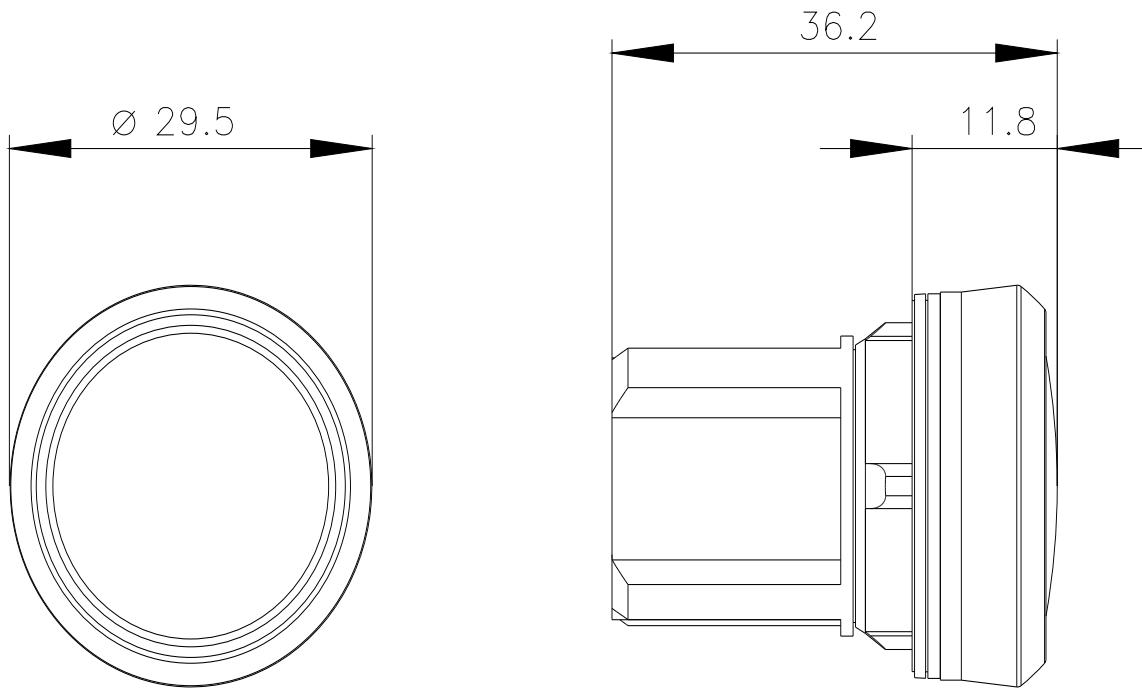
<http://support.automation.siemens.com/WW/CAXorder/default.aspx?lang=en&mlfb=3SU1051-6AA60-0AA0>

Service&Support (Manuals, Certificates, Characteristics, FAQs,...)

<https://support.industry.siemens.com/cs/ww/en/ps/3SU1051-6AA60-0AA0>

Image database (product images, 2D dimension drawings, 3D models, device circuit diagrams, EPLAN macros, ...)

http://www.automation.siemens.com/bilddb/cax_de.aspx?mlfb=3SU1051-6AA60-0AA0&lang=en



last modified:

11/4/2023 