



Figure similar

22MM PLASTIC ROUND ACTUATOR: EMERGEN.-STOP MUSHR.PUSHB.
40MM WITH RONIS KEY-OPER.SWITCH LATCHING WITH KEY-
OPER.SWITCH- UNLOCKING RED LOCK NO SB30 WITH HOLDER POSSIBLE
SPECIAL CLOSURES: 3SB31, 421, 455 !!! Phased-out product !!! SIRIUS ACT
3SU1 is successor Preferred successor type is >>3SU1000-1HF20-0AA0 +
3SU1500-0AA10-0AA0<<

design of the product	Single device round with positive latching in accordance with ISO 13850
Enclosure	
number of command points	1
Actuator	
design of the actuating element	EMERGENCY STOP mushroom pushbutton with lock
principle of operation of the actuating element	latching
product extension optional light source	No
color of the actuating element	red
material of the actuating element	plastic
outer diameter of the actuating element	40 mm
type of unlocking device	key unlatching
number of switching positions	2
switch position for key distraction	ON/OFF
Front ring	
product component front ring	No
Holder	
material of the holder	Plastic
General technical data	
product function	
• EMERGENCY OFF function	Yes
• EMERGENCY STOP function	Yes
protection class IP	IP66
vibration resistance according to IEC 60068-2-6	20 ... 200 Hz: 5g
operating frequency maximum	1 000 1/h
mechanical service life (operating cycles) typical	300 000
reference code according to IEC 81346-2	S
Substance Prohibitance (Date)	07/01/2006
Connections/ Terminals	
tightening torque of the screws in the bracket	1 ... 1.2 N·m
Safety related data	
B10 value with high demand rate according to SN 31920	100 000
proportion of dangerous failures	
• with low demand rate according to SN 31920	20 %
• with high demand rate according to SN 31920	20 %
failure rate [FIT] with low demand rate according to SN 31920	100 FIT
Ambient conditions	
ambient temperature	
• during operation	-25 ... +70 °C
• during storage	-40 ... +80 °C

environmental category during operation according to IEC 60721	3K6
--	-----

Installation/ mounting/ dimensions

fastening method	front mounting
shape of the installation opening	round
mounting diameter	22 mm
mounting height	23.5 mm
installation width	40 mm
installation depth	29 mm

Certificates/ approvals

General Product Approval	Test Certificates	Marine / Shipping
--------------------------	-------------------	-------------------



[Type Test Certificates/Test Report](#)



Marine / Shipping	other
-------------------	-------



[Miscellaneous](#)

[Confirmation](#)

Further information

Siemens has decided to exit the Russian market (see here).
<https://press.siemens.com/global/en/pressrelease/siemens-wind-down-russian-business>

Siemens is working on the renewal of the current EAC certificates.
 Please contact your local Siemens office on the status of validity of the EAC certification if you intend to import or offer to supply these products to an EAC relevant market (other than the sanctioned EAEU member states Russia or Belarus).

Information on the packaging
<https://support.industry.siemens.com/cs/ww/en/view/109813875>

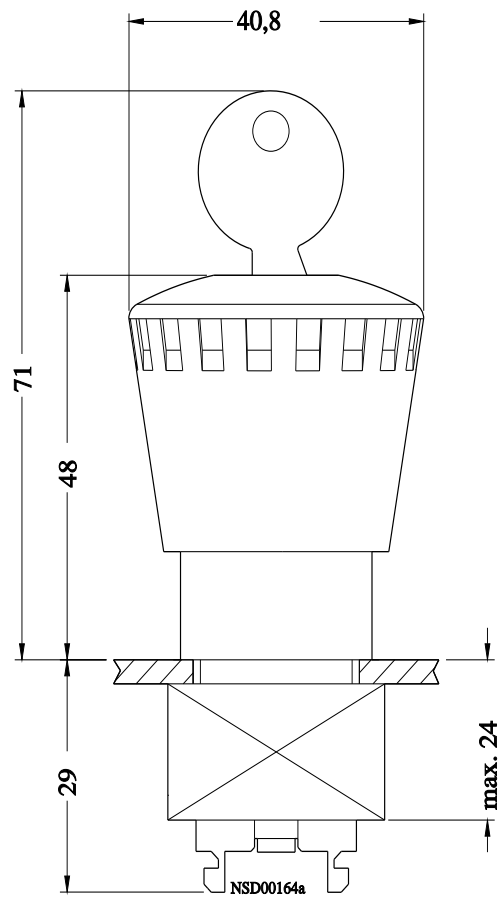
Information- and Downloadcenter (Catalogs, Brochures,...)
<https://www.siemens.com/ic10>

Industry Mall (Online ordering system)
<https://mall.industry.siemens.com/mall/en/en/Catalog/product?mlfb=3SB3000-1BA20>

Cax online generator
<http://support.automation.siemens.com/WWW/CAXorder/default.aspx?lang=en&mlfb=3SB3000-1BA20>

Service&Support (Manuals, Certificates, Characteristics, FAQs,...)
<https://support.industry.siemens.com/cs/ww/en/ps/3SB3000-1BA20>

Image database (product images, 2D dimension drawings, 3D models, device circuit diagrams, EPLAN macros, ...)
http://www.automation.siemens.com/bilddb/cax_de.aspx?mlfb=3SB3000-1BA20&lang=en



last modified:

1/27/2022 