

11-808

Pilot operated regulator



- > Port size: 3/4", 1" (ISO G/ PTF)
- > Constant bleed type
- > Can be installed at any point in the compressed air system without regard to accessibility – pilot regulator can be installed in the most convenient location



Technical features

Medium:

Compressed air only

Maximum inlet pressure:

20 bar (290 psi) maximum

Ports size:

3/4", 1"

Pilot port:

Rc 1/4

Gauge port:

Rc1/8

Flow:

See table below

Relieving:

Standard

Ambient/Media temperature:

-20 ... +80°C (-4° ... +176°F)

Version with gauge:

-20° ... +65°C (-4° ... +149°F)

Air supply must be dry enough to avoid ice formation at temperatures below +2°C (+35°F).

Materials:

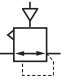
Body: Zinc

Bonnet: Aluminium

Valve: Brass

Elastomers: NBR

Technical data, standard models

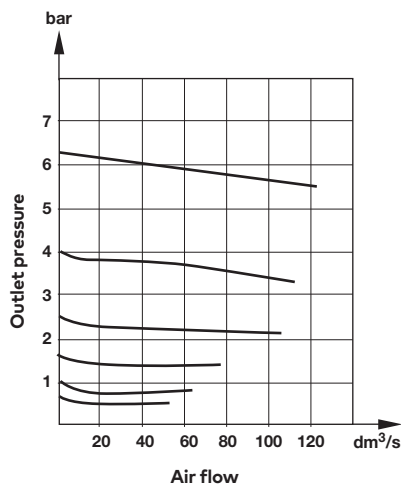
Symbol	Port size	Flow *1) dm ³ /s	Diaphragm	Weight (kg)	Model
	G3/4	180	Relieving	2,2	11-808-960
	G1	180	Relieving	2,1	11-808-980

*1) Typical flow (feedback pilot) with 8 bar inlet pressure, 6,3 bar outlet pressure and minimal pressure drop.

Flow characteristics

Inlet pressure:

8 bar, port size: 1"



Accessories

Wall mounting bracket



18-001-027

Service kit

Service kit



11-908-100

Gauge

Center back connection, white face (for full technical specification see datasheet 8.900.900)



Pressure range bar *2)	MPa	psi	Ø	Thread size	Model
0 ... 1,6	0 ... 0,16	0 ... 23	50 mm	R1/8	18-015-010
0 ... 4	0 ... 0,4	0 ... 58	50 mm	R1/8	18-015-011
0 ... 10	0 ... 1	0 ... 145	50 mm	R1/8	18-015-013
0 ... 25	0 ... 2,5	0 ... 362	50 mm	R1/8	18-015-014

*2) primary scale

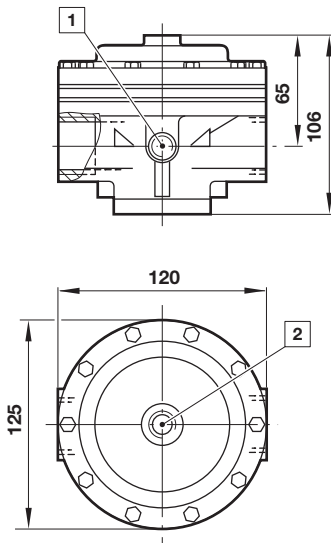
Center back connection, black face for North America (for full technical specification see datasheet 8.900.900)



Pressure range psig *2)	bar	MPa	Ø	Thread size	Model
0 ... 30	0 ... 2	0 ... 0.2	2" (50 mm)	1/8 NPT	18-015-201
0 ... 60	0 ... 4	0 ... 0.4	2" (50 mm)	1/8 NPT	18-015-202
0 ... 160	0 ... 11	0 ... 1.1	2" (50 mm)	1/8 NPT	18-015-204
0 ... 300	0 ... 20	0 ... 2.1	2" (50 mm)	1/8 NPT	18-015-205

*2) primary scale

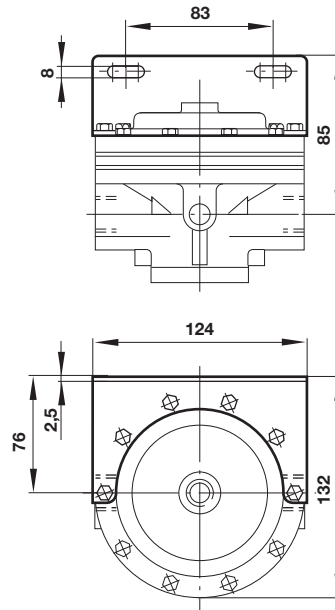
Dimensions



- 1 Gauge port Rc1/8 or 1/8 NPT plugged
2 Pilot port Rc1/4

Bracket mounting

Dimensions in mm
Projection/First angle



Warning

These products are intended for use in industrial compressed air systems only. Do not use these products where pressures and temperatures can exceed those listed under »**Technical features/data**«.

Before using these products with fluids other than those specified, for non-industrial applications, life-support systems or other applications not within published specifications, consult IMI Precision Engineering, Norgren Inc.

Through misuse, age, or malfunction, components used in fluid power systems can fail in various modes. The system designer is warned to consider the failure modes of all component parts used in fluid power systems and to provide adequate safeguards to prevent personal injury or damage to equipment in the event of such failure.

System designers must provide a warning to end users in the system instructional manual if protection against a failure mode cannot be adequately provided.

System designers and end users are cautioned to review specific warnings found in instruction sheets packed and shipped with these products.