

# Product data sheet

Specifications



Head for illuminated push button, Harmony XB6, red flush, 16mm, integral LED, spring return, 12... 24V, unmarked

ZB6AW4

## Main

|                               |                                  |
|-------------------------------|----------------------------------|
| Range of product              | Harmony XB6                      |
| Product or component type     | Head for illuminated push-button |
| Product compatibility         | Integral LED                     |
| Device short name             | ZB6                              |
| Bezel material                | Plastic                          |
| Mounting diameter             | 16 mm                            |
| Sale per indivisible quantity | 1                                |
| Shape of signaling unit head  | Round                            |
| Type of operator              | spring return                    |
| Operator profile              | Red flush, unmarked              |

## Complementary

|                    |          |
|--------------------|----------|
| CAD overall width  | 18 mm    |
| CAD overall height | 18 mm    |
| CAD overall depth  | 33 mm    |
| Net weight         | 0.016 kg |

## Environment

|                                       |  |
|---------------------------------------|--|
| Protective treatment                  | TC   |
| Ambient air temperature for storage   | -40...70 °C  |
| Ambient air temperature for operation | -25...70 °C  |
| Electrical shock protection class     | Class II conforming to IEC 61140   |
| IP degree of protection               | IP65 conforming to IEC 60529   |
| NEMA degree of protection             | NEMA 13 conforming to UL 50<br>NEMA 4 conforming to UL 50<br>NEMA 4X conforming to UL 50<br>NEMA 4 conforming to CSA C22.2 No 94<br>NEMA 4X conforming to CSA C22.2 No 94<br>NEMA 13 conforming to CSA C22.2 No 94 |

|           |   |
|-----------|---|
| Standards | JIS C 852<br>JIS C8201-5-1<br>CSA C22.2 No 14 |
|-----------|---|

EN/IEC 60947-1  
EN/IEC 60947-5-1  
EN/IEC 60947-5-5  
UL 508  
JIS C8201-1

|                               |  |
|-------------------------------|--|
| <b>Product certifications</b> | CCC<br>GOST<br>UL<br>CSA   |
| <b>Vibration resistance</b>   | +/- 3 mm (f= 2...500 Hz) conforming to IEC 60068-2-6<br>5 gn (f= 2...500 Hz) conforming to IEC 60068-2-6   |
| <b>Shock resistance</b>       | 30 gn (duration = 18 ms) for half sine wave acceleration conforming to IEC 60068-2-27<br>50 gn (duration = 11 ms) for half sine wave acceleration conforming to IEC 60068-2-27 |

## Packing Units

|                                     |         |
|-------------------------------------|---------|
| <b>Unit Type of Package 1</b>       | Db      |
| <b>Number of Units in Package 1</b> | 1       |
| <b>Package 1 Height</b>             | 2.6 cm  |
| <b>Package 1 Width</b>              | 4.9 cm  |
| <b>Package 1 Length</b>             | 9.8 cm  |
| <b>Package 1 Weight</b>             | 8.0 g   |
| <b>Unit Type of Package 2</b>       | S01     |
| <b>Number of Units in Package 2</b> | 80      |
| <b>Package 2 Height</b>             | 15.0 cm |
| <b>Package 2 Width</b>              | 15.0 cm |
| <b>Package 2 Length</b>             | 40.0 cm |
| <b>Package 2 Weight</b>             | 785.0 g |

## Offer Sustainability

|                                   |   |
|-----------------------------------|---|
| <b>Sustainable offer status</b>   | Green Premium product   |
| <b>REACH Regulation</b>           | <a href="#">REACH Declaration</a>   |
| <b>REACH free of SVHC</b>         | Yes   |
| <b>EU RoHS Directive</b>          | Pro-active compliance (Product out of EU RoHS legal scope)<br><a href="#">EU RoHS Declaration</a>   |
| <b>Toxic heavy metal free</b>     | Yes   |
| <b>Mercury free</b>               | Yes   |
| <b>China RoHS Regulation</b>      | <a href="#">China RoHS declaration</a>  |
| <b>RoHS exemption information</b> | <a href="#">Yes</a>   |
| <b>Environmental Disclosure</b>   | <a href="#">Product Environmental Profile</a>   |
| <b>Circularity Profile</b>        | <a href="#">End of Life Information</a>   |
| <b>California proposition 65</b>  | WARNING: This product can expose you to chemicals including: Di-isodecyl phthalate (DIDP), which is known to the State of California to cause birth defects or other reproductive harm. For more information go to <a href="http://www.P65Warnings.ca.gov">www.P65Warnings.ca.gov</a> |

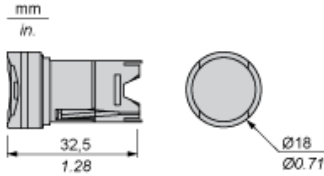
## Contractual warranty

|                 |           |
|-----------------|-----------|
| <b>Warranty</b> | 18 months |
|-----------------|-----------|

**Circular Head for Illuminated or Non Illuminated Pushbutton**

---

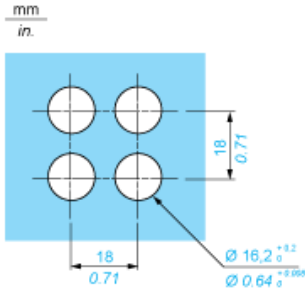
**Dimensions**



Panel Cut-out

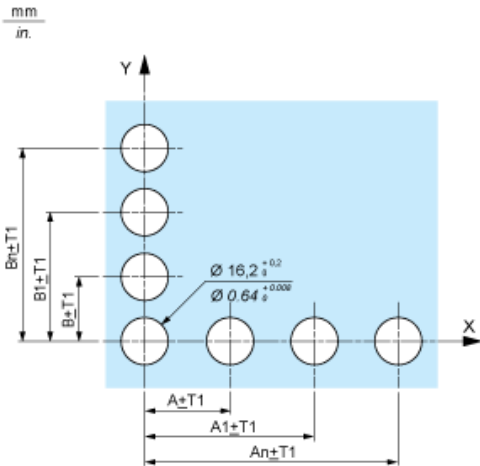
---

For Square or Circular Head

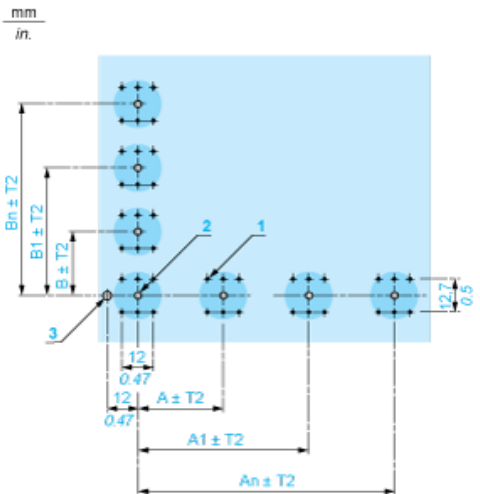


**Pushbuttons, Switches and Pilot Lights for Printed Circuit Board Connection**

**Front Panel Cut-out (Viewed from Installer's Side)**



**Printed Circuit Board Drillings (Viewed from Electrical Block Side)**



**A** 24 mm/0.94 in. minimum for rectangular heads, 18 mm/0.71 in. minimum for square or circular heads

**B** 18 mm/0.71 in. minimum

**(1)** 6 x Ø 1.1 mm / 6 x Ø 0.04 in. holes.

**(2)** 1 x Ø 2.6<sup>0</sup><sub>-0.2</sub> mm / 1 x Ø 0.10<sup>0</sup><sub>-0.008</sub> in. hole for locating pin, only when using socket adaptor ZB6Y010.

**(3)** 1 x Ø 3.2<sup>0</sup><sub>-0.2</sub> mm / 1 x Ø 0.13<sup>0</sup><sub>-0.008</sub> in. hole for fixing of printed circuit board onto the front panel using body bracket ZB6Y011. This hole must be

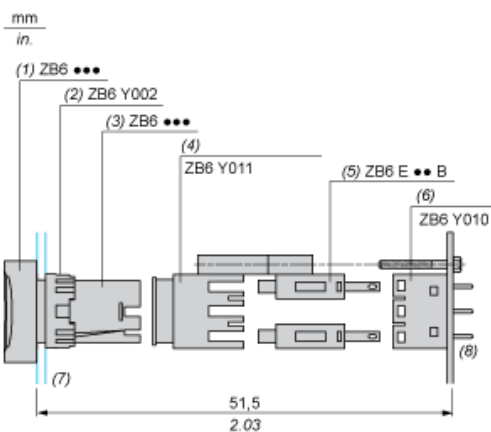
**General tolerances of the panel and printed circuit board:** T1, T2: T1 + T2 = 0.3 mm/0.01 in. maximum.

**Installation precautions:**

Thickness of printed circuit board: 1.6 mm/0.06 in. minimum.

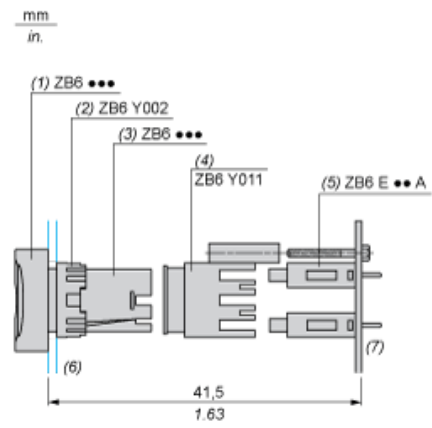
**Mounting with Body Bracket**

**With socket adaptor ZB6Y010**



- (1) Head
- (2) Nut
- (3) Body
- (4) Body bracket
- (5) Contact block
- (6) Socket adaptor
- (7) Panel
- (8) Printed circuit

## Direct mounting without socket adaptor ZB6Y010



- (1) Head
- (2) Nut
- (3) Body
- (4) Body bracket
- (5) Contact block
- (6) Panel
- (7) Printed circuit

## Recommended replacement(s)