

# Product data sheet

Specifications



Head for illuminated push button, Harmony XB5, green square projecting, 22mm, universal LED, spring return, unmarked

ZB5CW133

**Important message : A change in appearance may be noted on the product but does not affect its use in terms of function and safety. This makes it compatible with our Universal LED blocks**

## Main

Range of product	Harmony XB5
Product or component type	Head for illuminated push-button
Device short name	ZB5
Product compatibility	Universal LED
Bezel material	Dark grey plastic
Mounting diameter	22 mm
Sale per indivisible quantity	1
Head type	Standard
Shape of signaling unit head	Square
Type of operator	spring return
Operator profile	Green projecting, unmarked
Operator additional information	For insertion of legend

## Complementary

CAD overall width	30 mm
CAD overall height	30 mm
CAD overall depth	34 mm
Net weight	0.024 kg
Resistance to high pressure washer	7000000 Pa at 55 °C, distance : 0.1 m
Mechanical durability	10000000 cycles
Main group	Illum push-button
Group of product	Proj push integral LED
Station name	XALD 1...5 cut-outs XALK 2...5 cut-outs
Cap/Operator or lens colour	Green
Marking	Unmarked
Electrical composition code	M1 for <6 contacts using single blocks in front mounting with integral LED M2 for <6 contacts using single and double blocks in front mounting with integral LED M6 for <2 contacts using single blocks in front mounting with integral LED and transformer

M10 for <2 contacts using single blocks in front mounting with integral LED  
 MF1 for <2 contacts using single blocks in front mounting with integral LED  
 MR1 for <2 contacts using single blocks in rear mounting with integral LED

**Device presentation** Basic element

## Environment

**Protective treatment** TC

**Ambient air temperature for storage** -40...70 °C

**Ambient air temperature for operation** -40...70 °C

**Overvoltage category** Class II conforming to IEC 60536

**IP degree of protection** IP66 conforming to IEC 60529

**NEMA degree of protection** NEMA 13  
NEMA 4X

**IK degree of protection** IK05 conforming to EN 50102

**Standards** GB 14048.5  
CSA C22.2 No 14  
JIS C8201-5-1  
EN/IEC 60947-1  
EN/IEC 60947-5-1  
EN/IEC 60947-5-4  
UL 508  
JIS C8201-1

**Product certifications** UL listed  
LROS (Lloyds register of shipping)  
CSA  
DNV  
GL  
BV

**Vibration resistance** 5 gn (f= 2...500 Hz) conforming to IEC 60068-2-6

**Shock resistance** 30 gn (duration = 18 ms) for half sine wave acceleration conforming to IEC 60068-2-27  
50 gn (duration = 11 ms) for half sine wave acceleration conforming to IEC 60068-2-27

## Packing Units

**Unit Type of Package 1** Db

**Number of Units in Package 1** 1

**Package 1 Height** 6.5 cm

**Package 1 Width** 3.4 cm

**Package 1 Length** 5.4 cm

**Package 1 Weight** 21.0 g

**Unit Type of Package 2** S01

**Number of Units in Package 2** 75

**Package 2 Height** 15 cm

**Package 2 Width** 15 cm

**Package 2 Length** 40 cm

**Package 2 Weight** 1.8 kg

## Offer Sustainability

**Sustainable offer status** Green Premium product

**REACH Regulation** [REACH Declaration](#)

**REACH free of SVHC** Yes

**EU RoHS Directive** Pro-active compliance (Product out of EU RoHS legal scope)  
[EU RoHS Declaration](#)

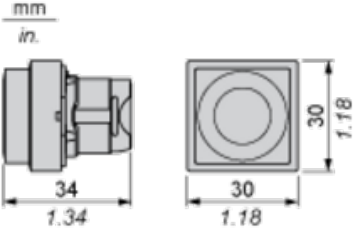
<b>Toxic heavy metal free</b>	Yes
<b>Mercury free</b>	Yes
<b>China RoHS Regulation</b>	<a href="#">China RoHS declaration</a>
<b>RoHS exemption information</b>	Yes
<b>Environmental Disclosure</b>	<a href="#">Product Environmental Profile</a>
<b>Circularity Profile</b>	<a href="#">End of Life Information</a>
<b>California proposition 65</b>	WARNING: This product can expose you to chemicals including: Nickel compounds, which is known to the State of California to cause cancer, and Di-isodecyl phthalate (DIDP), which is known to the State of California to cause birth defects or other reproductive harm. For more information go to <a href="http://www.P65Warnings.ca.gov">www.P65Warnings.ca.gov</a>

## Contractual warranty

<b>Warranty</b>	18 months
-----------------	-----------

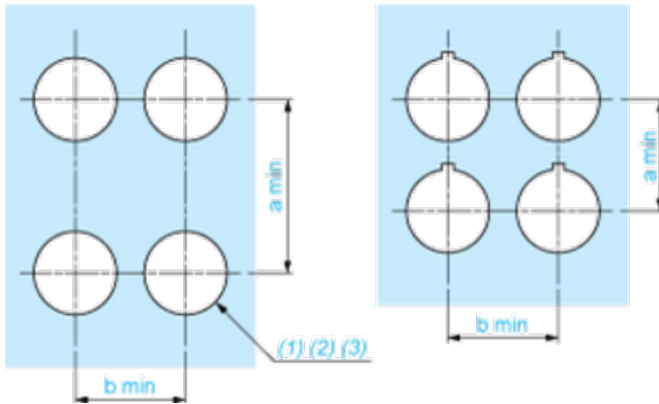
**Dimensions**

---



**Panel Cut-out for Pushbuttons, Switches and Pilot Lights (Finished Holes, Ready for Installation)**

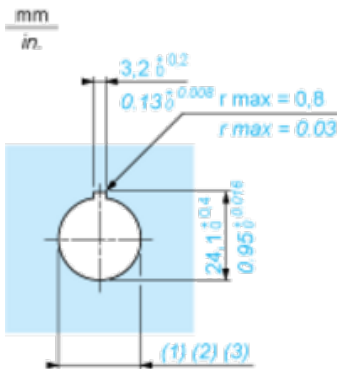
**Connection by Screw Clamp Terminals or Plug-in Connectors or on Printed Circuit Board**



- (1) Diameter on finished panel or support
- (2) For selector switches and Emergency stop buttons, use of an anti-rotation plate type ZB5AZ902 is recommended.
- (3)  $\varnothing 22.5$  mm recommended ( $\varnothing 22.3 \text{ }_0^{+0.4}$ ) /  $\varnothing 0.89$  in. recommended ( $\varnothing 0.88 \text{ in. }_0^{+0.016}$ )

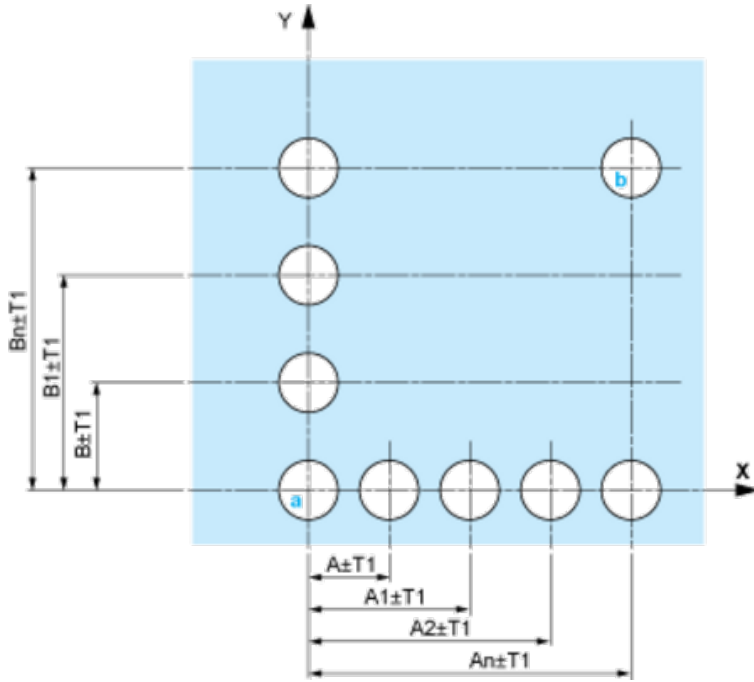
Connections	a in mm	a in in.	b in mm	b in in.
By screw clamp terminals or plug-in connector	40	1.57	30	1.18
By Faston connectors	45	1.77	32	1.26
On printed circuit board	30	1.18	30	1.18

**Detail of Lug Recess**



- (1) Diameter on finished panel or support
- (2) For selector switches and Emergency stop buttons, use of an anti-rotation plate type ZB5AZ902 is recommended.
- (3)  $\varnothing 22.5$  mm recommended ( $\varnothing 22.3 \text{ }_0^{+0.4}$ ) /  $\varnothing 0.89$  in. recommended ( $\varnothing 0.88 \text{ in. }_0^{+0.016}$ )

Panel Cut-outs (Viewed from Installer's Side)

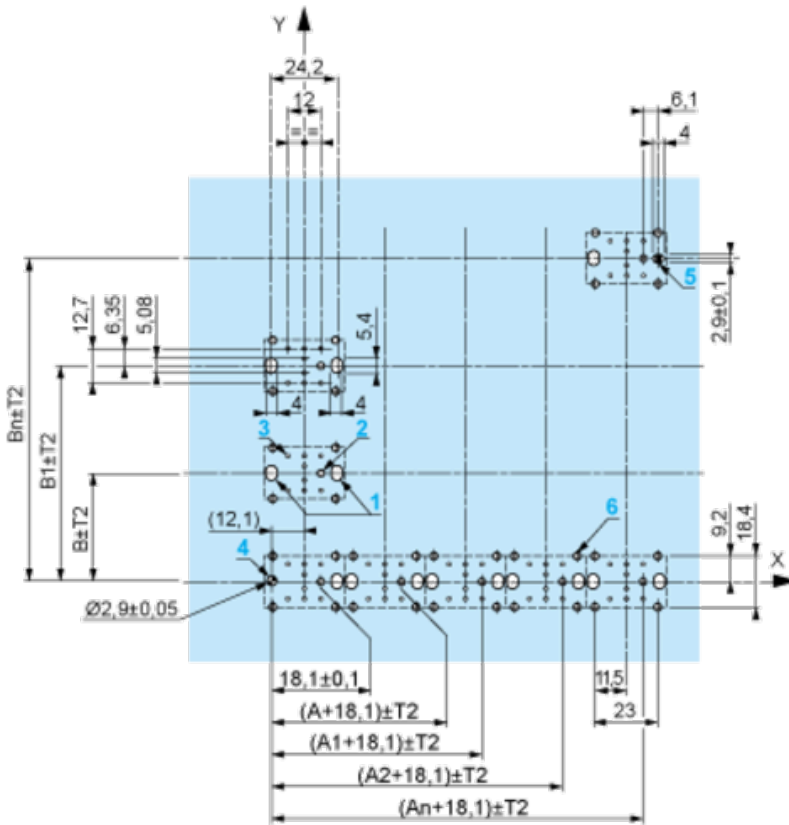


A: 30 mm min. / 1.18 in. min.

B: 40 mm min. / 1.57 in. min.

Printed Circuit Board Cut-outs (Viewed from Electrical Block Side)

Dimensions in mm



A: 30 mm min.

B: 40 mm min.

Dimensions in in.



## Mounting of Adapter (Socket) ZBZ01•

- 1 2 elongated holes for ZBZ006 screw access
- 2 1 hole  $\varnothing$  2.4 mm  $\pm$  0.05 / 0.09 in.  $\pm$  0.002 for centring adapter ZBZ01•
- 3 8  $\times$   $\varnothing$  1.2 mm / 0.05 in. holes
- 4 1 hole  $\varnothing$  2.9 mm  $\pm$  0.05 / 0.11 in.  $\pm$  0.002, for aligning the printed circuit board (with cut-out marked **a**)
- 5 1 elongated hole for aligning the printed circuit board (with cut-out marked **b**)
- 6 4 holes  $\varnothing$  2.4 mm / 0.09 in. for clipping in adapter ZBZ01•

Dimensions An + 18.1 relate to the  $\varnothing$  2.4 mm  $\pm$  0.05 / 0.09 in.  $\pm$  0.002 holes for centring adapter ZBZ01•.



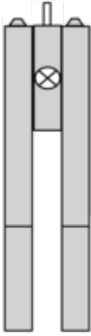
**Electrical Composition Corresponding to Codes M1 and M7**

---



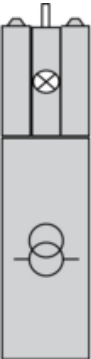
**Electrical Composition Corresponding to Codes M2 and M8**

---



**Electrical Composition Corresponding to Codes M6 and P2**

---



**Electrical Composition Corresponding to Codes M5, M10, MF1, MR1 and MF2**

---



**Legend**

---

Single contact



Double contact



Light block



Possible location



**Recommended replacement(s)**