

Product data sheet

Specifications



black rectangular selector switch head Ø16 2-position spring return

ZB6DD24

! Discontinued on: 20 October 2020

! Discontinued

Main

Range of product	Harmony XB6
Product or component type	Head for selector switch
Device short name	ZB6
Bezel material	Plastic
Mounting diameter	16 mm
Sale per indivisible quantity	1
Shape of signaling unit head	Rectangular
Type of operator	To centre spring return
Operator profile	Black standard handle
Operator position information	2 positions 45°

Complementary

CAD overall width	24 mm
CAD overall height	18 mm
CAD overall depth	43 mm
Net weight	0.018 kg

Environment

Protective treatment	TC
Ambient air temperature for storage	-40...70 °C
Ambient air temperature for operation	-25...70 °C
Electrical shock protection class	Class II conforming to IEC 61140
IP degree of protection	IP65 conforming to IEC 60529
NEMA degree of protection	NEMA 13 conforming to UL 50 NEMA 4 conforming to UL 50 NEMA 4X conforming to UL 50 NEMA 13 conforming to CSA C22.2 No 94 NEMA 4 conforming to CSA C22.2 No 94 NEMA 4X conforming to CSA C22.2 No 94
Standards	EN/IEC 60947-5-1

JIS C8201-5-1
EN/IEC 60947-5-5
CSA C22.2 No 14
JIS C 852
EN/IEC 60947-1
UL 508
JIS C8201-1

Product certifications

CCC
UL
GOST
CSA

Vibration resistance

+/- 3 mm (f= 2...500 Hz) conforming to IEC 60068-2-6
5 gn (f= 2...500 Hz) conforming to IEC 60068-2-6

Shock resistance

30 gn (duration = 18 ms) for half sine wave acceleration conforming to IEC 60068-2-27
50 gn (duration = 11 ms) for half sine wave acceleration conforming to IEC 60068-2-27

Packing Units

Unit Type of Package 1

Db

Number of Units in Package 1

1

Package 1 Height

2.5 cm

Package 1 Width

3 cm

Package 1 Length

5.5 cm

Package 1 Weight

10 g

Offer Sustainability

Sustainable offer status

Green Premium product

REACH Regulation

[REACH Declaration](#)

REACH free of SVHC

Yes

EU RoHS Directive

Pro-active compliance (Product out of EU RoHS legal scope)
[EU RoHS Declaration](#)

Toxic heavy metal free

Yes

Mercury free

Yes

China RoHS Regulation

[China RoHS declaration](#)

RoHS exemption information

Yes

Environmental Disclosure

[Product Environmental Profile](#)

Circularity Profile

[End of Life Information](#)

California proposition 65

WARNING: This product can expose you to chemicals including: Di-isodecyl phthalate (DIDP), which is known to the State of California to cause birth defects or other reproductive harm. For more information go to www.P65Warnings.ca.gov

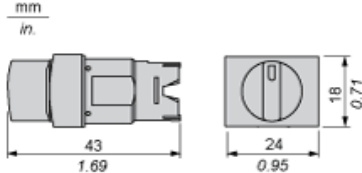
Contractual warranty

Warranty

18 months

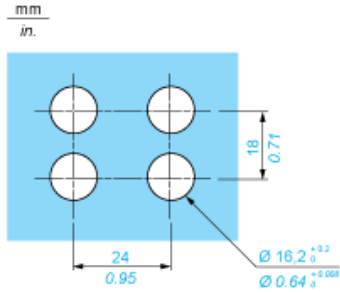
Rectangular Head for Selector Switch, Standard Handle

Dimensions

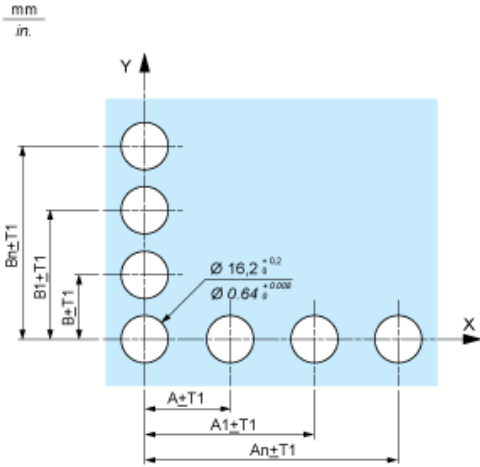


Panel Cut-out

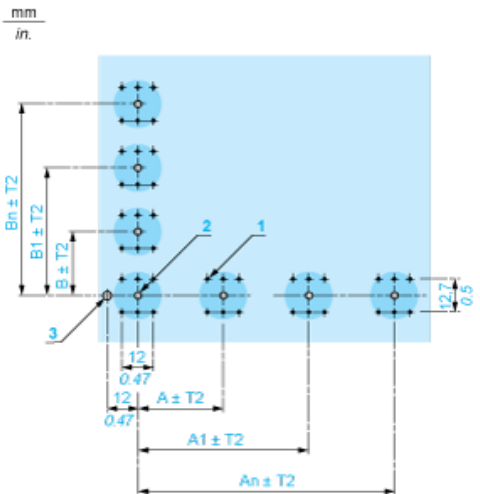
For Rectangular Head



Front Panel Cut-out (Viewed from Installer's Side)



Printed Circuit Board Drillings (Viewed from Electrical Block Side)



A 24 mm/0.94 in. minimum for rectangular heads, 18 mm/0.71 in. minimum for square or circular heads

B 18 mm/0.71 in. minimum

(1) 6 x Ø 1.1 mm / 6 x Ø 0.04 in. holes.

(2) 1 x Ø 2.6⁰_{-0.2} mm / 1 x Ø 0.10⁰_{-0.008} in. hole for locating pin, only when using socket adaptor ZB6Y010.

(3) 1 x Ø 3.2⁰_{-0.2} mm / 1 x Ø 0.13⁰_{-0.008} in. hole for fixing of printed circuit board onto the front panel using body bracket ZB6Y011. This hole must be

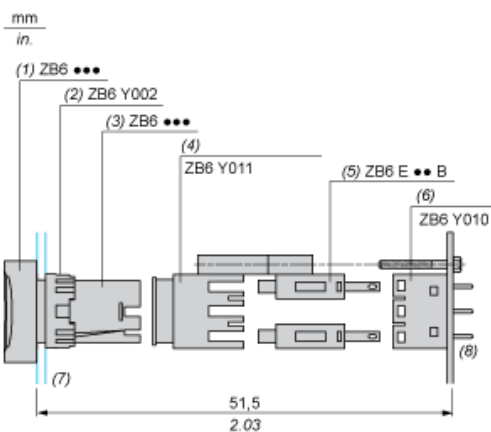
General tolerances of the panel and printed circuit board: T1, T2: T1 + T2 = 0.3 mm/0.01 in. maximum.

Installation precautions:

Thickness of printed circuit board: 1.6 mm/0.06 in. minimum.

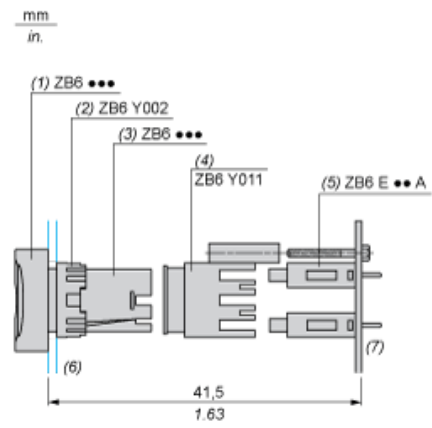
Mounting with Body Bracket

With socket adaptor ZB6Y010



- (1) Head
- (2) Nut
- (3) Body
- (4) Body bracket
- (5) Contact block
- (6) Socket adaptor
- (7) Panel
- (8) Printed circuit

Direct mounting without socket adaptor ZB6Y010



- (1) Head
- (2) Nut
- (3) Body
- (4) Body bracket
- (5) Contact block
- (6) Panel
- (7) Printed circuit

Recommended replacement(s)

ZB6DD24 is replaced by the following product range:



Harmony XB6

Ø 16 mm plastic pushbuttons, switches, and pilot lights

Products: 510