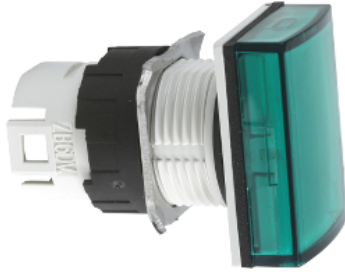


Product data sheet

Specifications



Head for pilot light, Harmony XB6, rectangular green, 16mm, integral LED

ZB6DV3

Main

| | |
|-------------------------------|----------------------|
| Range of product | Harmony XB6 |
| Product or component type | Head for pilot light |
| Product compatibility | Integral LED |
| Device short name | ZB6 |
| Bezel material | Plastic |
| Mounting diameter | 16 mm |
| Sale per indivisible quantity | 1 |
| Shape of signaling unit head | Rectangular |
| Cap/Operator or lens colour | Green |

Complementary

| | |
|--------------------|----------|
| CAD overall width | 24 mm |
| CAD overall height | 18 mm |
| CAD overall depth | 33 mm |
| Net weight | 0.015 kg |

Environment

| | |
|---------------------------------------|--|
| Protective treatment | TC |
| Ambient air temperature for storage | -40...70 °C |
| Ambient air temperature for operation | -25...70 °C |
| Electrical shock protection class | Class II conforming to IEC 61140 |
| IP degree of protection | IP65 conforming to IEC 60529 |
| NEMA degree of protection | NEMA 13 conforming to UL 50 NEMA 4 conforming to UL 50 NEMA 4X conforming to UL 50 NEMA 13 conforming to CSA C22.2 No 94 NEMA 4 conforming to CSA C22.2 No 94 NEMA 4X conforming to CSA C22.2 No 94 |
| Standards | EN/IEC 60947-5-1 JIS C 852 UL 508 JIS C 4520 EN/IEC 60947-5-5 |

| | |
|-------------------------------|--|
| Product certifications | GOST CCC UL CSA |
| Vibration resistance | +/- 3 mm (f= 2...500 Hz) conforming to IEC 60068-2-6 5 gn (f= 2...500 Hz) conforming to IEC 60068-2-6 |
| Shock resistance | 30 gn (duration = 18 ms) for half sine wave acceleration conforming to IEC 60068-2-27 50 gn (duration = 11 ms) for half sine wave acceleration conforming to IEC 60068-2-27 |

Packing Units

| | |
|-------------------------------------|---------|
| Unit Type of Package 1 | Db |
| Number of Units in Package 1 | 1 |
| Package 1 Height | 4.4 cm |
| Package 1 Width | 4.8 cm |
| Package 1 Length | 7.3 cm |
| Package 1 Weight | 9.0 g |
| Unit Type of Package 2 | S01 |
| Number of Units in Package 2 | 80 |
| Package 2 Height | 15.0 cm |
| Package 2 Width | 15.0 cm |
| Package 2 Length | 40.0 cm |
| Package 2 Weight | 872.0 g |

Offer Sustainability

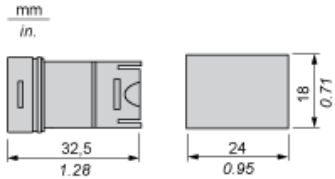
| | |
|-----------------------------------|---|
| Sustainable offer status | Green Premium product |
| REACH Regulation | REACH Declaration |
| REACH free of SVHC | Yes |
| EU RoHS Directive | Pro-active compliance (Product out of EU RoHS legal scope) EU RoHS Declaration |
| Toxic heavy metal free | Yes |
| Mercury free | Yes |
| China RoHS Regulation | China RoHS declaration |
| RoHS exemption information | Yes |
| Environmental Disclosure | Product Environmental Profile |
| Circularity Profile | End of Life Information |
| California proposition 65 | WARNING: This product can expose you to chemicals including: Di-isodecyl phthalate (DIDP), which is known to the State of California to cause birth defects or other reproductive harm. For more information go to www.P65Warnings.ca.gov |

Contractual warranty

| | |
|-----------------|-----------|
| Warranty | 18 months |
|-----------------|-----------|

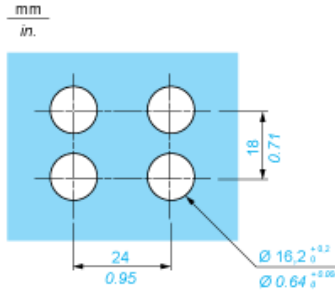
Rectangular Head for Pilot Light

Dimensions

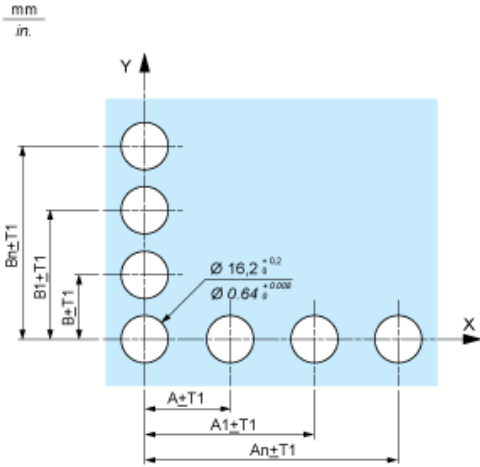


Panel Cut-out

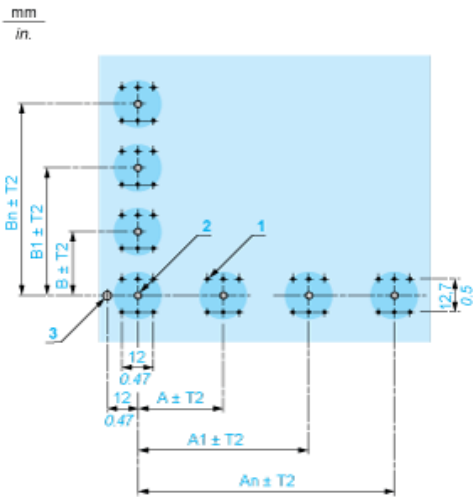
For Rectangular Head



Front Panel Cut-out (Viewed from Installer's Side)



Printed Circuit Board Drillings (Viewed from Electrical Block Side)



A 24 mm/0.94 in. minimum for rectangular heads, 18 mm/0.71 in. minimum for square or circular heads

B 18 mm/0.71 in. minimum

(1) 6 x Ø 1.1 mm / 6 x Ø 0.04 in. holes.

(2) 1 x Ø 2.6⁰_{-0.2} mm / 1 x Ø 0.10⁰_{-0.008} in. hole for locating pin, only when using socket adaptor ZB6Y010.

(3) 1 x Ø 3.2⁰_{-0.2} mm / 1 x Ø 0.13⁰_{-0.008} in. hole for fixing of printed circuit board onto the front panel using body bracket ZB6Y011. This hole must be

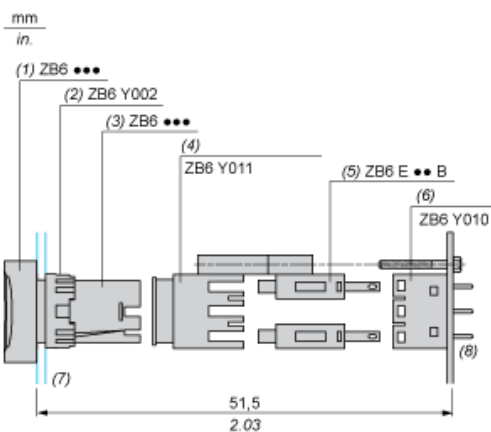
General tolerances of the panel and printed circuit board: T1, T2: T1 + T2 = 0.3 mm/0.01 in. maximum.

Installation precautions:

Thickness of printed circuit board: 1.6 mm/0.06 in. minimum.

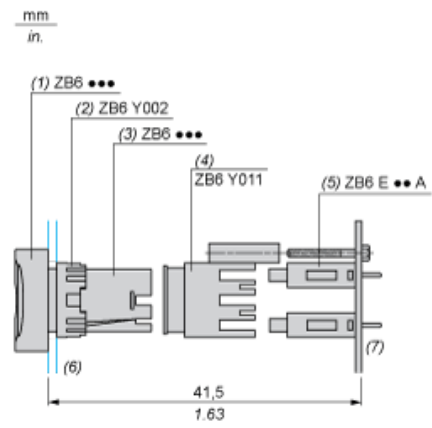
Mounting with Body Bracket

With socket adaptor ZB6Y010



- (1)** Head
- (2)** Nut
- (3)** Body
- (4)** Body bracket
- (5)** Contact block
- (6)** Socket adaptor
- (7)** Panel
- (8)** Printed circuit

Direct mounting without socket adaptor ZB6Y010



- (1) Head
- (2) Nut
- (3) Body
- (4) Body bracket
- (5) Contact block
- (6) Panel
- (7) Printed circuit

Recommended replacement(s)