

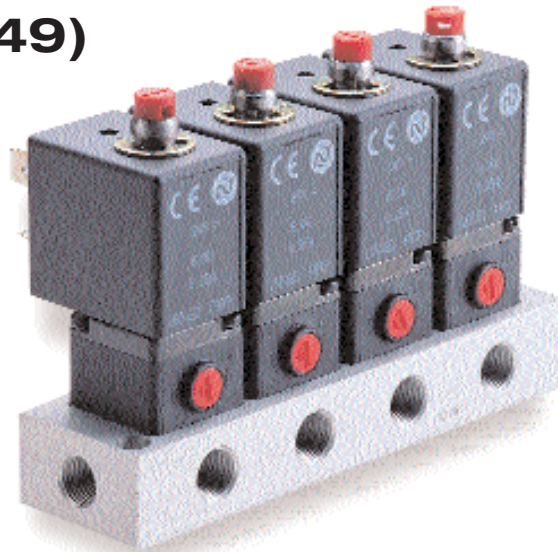
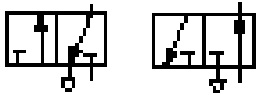


Excel 22 (M/48, M/49)

Solenoid actuated 22 mm poppet valves

Sub-base

3/2, M5, G1/8



Miniature 22 mm normally open and normally closed models

Sub-base mounted and manifold mounted – compact and convenient

Manual override as standard

Technical data

Medium:

Compressed air, filtered, lubricated and non lubricated.

Operating pressure:

0 to 10 bar

Flow:

Orifice l/min

1,0 mm 30

1,6 mm 77

Ambient temperature:

-20°C to +50°C.

Consult our Technical Service for use below +2°C.

Materials

Coil: glass reinforced thermo plastic

Manual override base: glass reinforced nylon

Armature: stainless iron

Sub-base: aluminium

Seals: nitrile

Tube & spring: stainless steel

Alternative models

2/2 N/C models

N/O models

Push button manual operators

15 mm models

32 mm models

Flying lead coils

Viton

Contact our Technical Service for details.

Size	Function	Actuation	kg	Mounting	Model	1,0 mm orifice (low power)	1,6 mm orifice
M5	3/2 NC	Sol/spring	0,13	Single	M/48/MAZ***	M/48/MDZ***	
M5	3/2 NC	Sol/spring	0,31 ... 0,9	Manifold	DM/48/MAZ***/T‡	DM/48/MDZ***/T‡	
G1/8	3/2 NC	Sol/spring	0,14	Single	M/49/MAZ***	M/49/MDZ***	
G1/8	3/2 NC	Sol/spring	0,31 ... 0,9	Manifold	DM/49/MAZ***/T‡	DM/49/MDZ***/T‡	

Service kits are not available for these valves.

*** Insert voltage codes from table below.

‡ Add number of valves in manifold up to 6 maximum.

Order connector plugs separately.

Electrical details for solenoid operators

Voltage tolerance:	±10%
Rating:	100% E.D.
Inlet orifice:	1,0 mm or 1,6 mm
Electrical connection:	22 mm Industrial Standard*
Protection class:	IP 65 (DIN 40 050) with plug fitted
Cable entry:	Pg 9
Manual override:	Screwdriver operated, memory type, standard

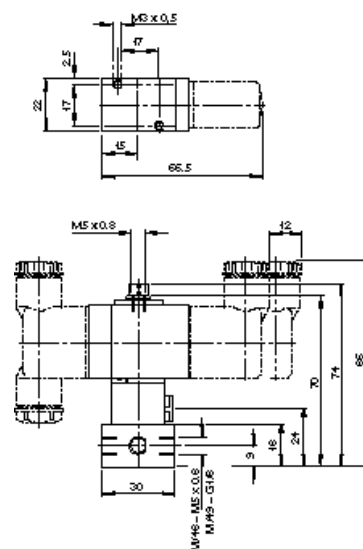
*Form B electrical connections available – please refer to data sheets.

Voltage codes

Voltage	1,0 mm orifice (low power)			1,6 mm orifice		
	Code	Power	Coil	Code	Power	Coil
12 V d.c.	12J	2 W	QM/48/12J/21	82J	7,5 W	QM/48/82J/21
24 V d.c.	13J	2 W	QM/48/13J/21	83J	6 W	QM/48/83J/21
24 V 50/60 Hz	14J	4/2,5 VA	QM/48/14J/21	84J	12/8 VA	QM/48/84J/21
110/120 V 50/60 Hz	18J	4/2,5 VA	QM/48/18J/21	88J	12/8 VA	QM/48/88J/21
220/240 V 50/60 Hz	19J	6/5 VA	QM/48/19J/21	89J	12/8 VA	QM/48/89J/21

For details of connector plugs and indicators see page 383

M/48, M/49



DM/48*/T‡, DM/49*/T‡

