

Connection Systems
Cordsets & Patchcords, DC Micro Style
 18 and 22 AWG, PUR TPE, or TPR



Features

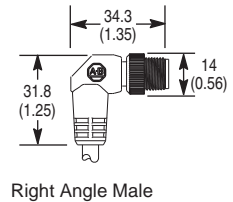
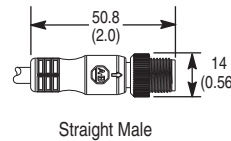
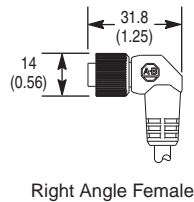
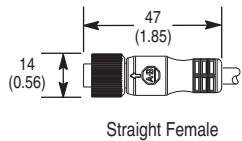
- PUR jacket provides good oil and chemical resistance
- TPE jacket material for good oil, chemical, and weld slag resistance
- 8-pin/7-wire configuration for Sipa safety switches and other applications
- Ratcheting coupling nuts for vibration resistance

Specifications

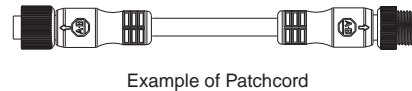
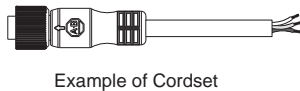
Certifications	UL recognized and CSA certified
Mechanical	
Coupling Nut Material	Epoxy-coated zinc
Connector Shell Material	Molded oil resistant PVC or PUR
Contact Material	Gold over nickel-plated brass
Cable	Oil resistant PVC jacket, 18 AWG & 22 AWG or 24 AWG conductors, 300V; UL recognized and CSA certified
Bend Radius	10x diameter
Cable Diameter	4/c (PUR): 5 mm (0.21 in); 4/c (18 AWG TPE): 7 mm (0.28 in); 5/c: 6.5 mm (0.25 in); 7/c: 7.4 mm (0.29 in); 8/c: 7.4 mm (0.29 in)
Electrical	
Cable Rating	UL AWM style 2661 VW-1 105C 300V, CSA AWM A/B I/II 80C 300V FT1, UV oil and water resistant
Assembly Rating	250V, 4 A
Environmental	
Enclosure Type Rating	IP 67, NEMA 6P, 1200 psi (8270 kPa) washdown
Operating Temperature—C (F)	PUR: -20...+80° (-4...+176°); TPE: -20...+105° (-4...+221°); TPR: -25...+125° (-13...+256°)

Approximate Dimensions—mm (inches)


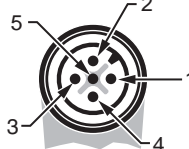
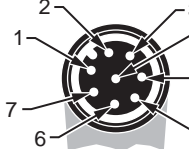
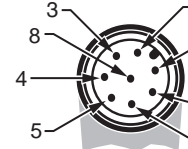
Dimensions are not intended to be used for installation purposes.



Dimensions are approximate. Illustrations are not drawn to scale.



Pinout and Color Code

Color Code	Face View Pinout			
	4-Pin	5-Pin	8-Pin	
				
A	1 Brown 2 White 3 Blue 4 Black 5 NA	1 Brown 2 White 3 Blue 4 Black 5 Grey	1 Red 2 Blue 3 Green 4 Yellow	5 Black 6 White 7 N.C. 8 Grey
B	—	—	1 White 2 Brown 3 Green 4 Yellow	5 Grey 6 Pink 7 Blue 8 Red

Product Selection

Cordsets 

Pin Count	Cable Type	Wire Size	Assembly Rating	Color Code	Cat. No.			
					Straight Female	Right Angle Female	Straight Male	Right Angle Male
4-Pin	TPE	18 AWG	250V, 4 A	A	889D-F4HJ-*	889D-R4HJ-*	889D-M4HJ-*	889D-E4HJ-*
		22AWG		A	889D-F4HL-*	889D-R4HL-*	889D-M4HL-*	889D-E4HL-*
5-Pin	PUR	22 AWG	250V, 4 A	A	889D-F4UC-*	889D-R4UC-*	889D-M4UC-*	889D-E4UC-*
8-Pin	TPR	24 AWG	300V AC/36V DC, 1.5 A	A	889D-F8AC-*	—	—	—
	PUR			B	889D-F8AB-*	889D-R8AB-*	889D-M8AB-*	—

Patchcords 

Pin Count	Cable Type	Wire Size	Assembly Rating	Cat. No.			
				Straight Female Straight Male	Straight Female Right Angle Male	Right Angle Female Straight Male	Right Angle Female Right Angle Male
4-Pin	PUR	22 AWG	250V, 4 A	889D-F4UCDM-*	889D-F4ACDE-*	889D-R4ACDM-*	889D-R4ACDE-*
5-Pin				889D-F5UCDM-*	889D-F4AEDE-*	889D-R4AEDM-*	889D-R4AEDE-*
8-Pin		24 AWG	300V AC/36V DC, 1.5 A	889D-F8ABDM-*	889D-F4BCDE-*	889D-R4BCDM-*	889D-R4BCDE-*

* Replace symbol with 2 (2 m), 5 (5 m) or 10 (10 m) for standard cable lengths.
 * Replace symbol with 0M3 (1 ft), 1 (1 m), 2 (2 m), 5 (5 m) or 10 (10 m) for standard lengths.

Note: Stainless steel connectors may be ordered by adding an "S" to the bulletin number (e.g. 889DS-F4UCDM-*).

7-Cables

Connection Systems
Cordsets & Patchcords, AC Micro Style
 22 AWG, PVC

Specifications

Certifications	UL recognized and CSA certified
Mechanical	
Coupling Nut Material	Epoxy-coated zinc
Connector Material	Molded oil-resistant polyurethane
Contact Material	Gold over nickel-plated brass
Cable Type	Oil-resistant yellow PVC jacket, 22 AWG conductors, 300V, UL recognized and CSA certified
Bend Radius	10x diameter
Cable Diameter	6/c (22 AWG) = 6.7 (0.26)
Braiding	Tinned copper braid
Cable Rating	UL AWM style 2661 VW-1 105C 300V, CSA AWM A/B I/II 80C 300V FT1, UV oil and water resistant
Assembly Rating	250V, 4 A
Environmental	
Enclosure Type Rating	IP 67
Operating Temperature—C (F)	-20...+105° (-4...+221°)

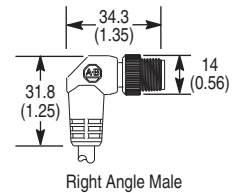
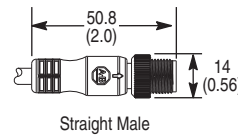
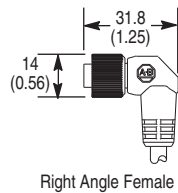
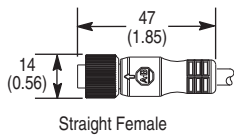
7-Cables

Features

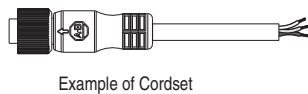
- Highly visible yellow PVC jacket offers good oil and chemical resistance
- Heavy-duty re-inforcing braiding can be used as a grounded shield to reduce noise
- Ratcheting coupling nut for vibration resistance

Approximate Dimensions—mm (inches)


Dimensions are not intended to be used for installation purposes.



Dimensions are approximate. Illustrations are not drawn to scale.



Pinout and Color Code

Color Code	Face View Pinout 6-Pin	
	A	 <p>1 Red/White Tr. 2 Red 3 Green</p>

Product Selection

Cordsets 

Pin Count	Wire Size	Assembly Rating	Color Code	Cat. No.			
				Straight Female	Right Angle Female	Straight Male	Right Angle Male
6-Pin	Braided 22 AWG	250V, 4 A	A	889R-F6ECA-*	889R-R6ECA-*	889R-M6ECA-*	889R-E6ECA-*

Patchcords 

Pin Count	Wire Size	Assembly Rating	Color Code	Cat. No.			
				Straight Female	Right Angle Female	Straight Male	Right Angle Male
6-Pin	Braided 22 AWG	250V, 4 A	A	889R-F6ECA-*	889R-R6ECA-*	889R-M6ECA-*	889R-E6ECA-*

7-Cables