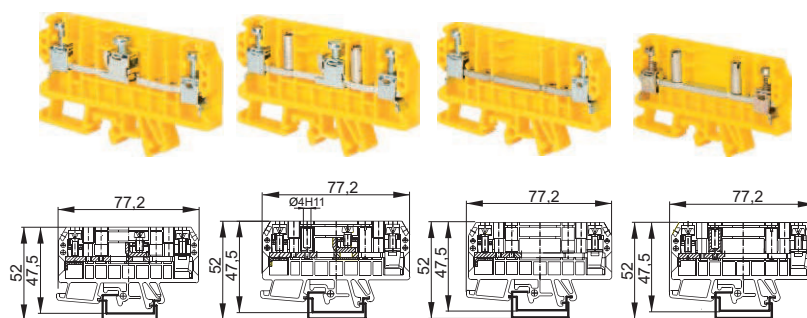


Thread terminal blocks with sliding disconnecter and test jacks or w/o test jacks



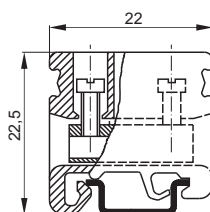
| TYPE | ZG-G/P | ZG-G/PG | ZG-G/D | ZG-G/DG |
|-----------------------------------|-----------------------------------|-----------------------------------|-----------------------------------|-----------------------------------|
| Catalogue number | 11-910 | 11-920 | 11-930 | 11-940 |
| Colour | yellow-1 blue-6 | yellow-1 blue-6 | yellow-1 blue-6 | yellow-1 blue-6 |
| Standard | IEC 60947-7-1 | IEC 60947-7-1 | IEC 60947-7-1 | IEC 60947-7-1 |
| Nominal cross-section | 10mm ² | 10mm ² | 10mm ² | 10mm ² |
| Nominal connectivity: wire/cord | 0,5...10 / 0,5...6mm ² | 0,5...10 / 0,5...6mm ² | 0,5...10 / 0,5...6mm ² | 0,5...10 / 0,5...6mm ² |
| Nominal voltage of insulation | 690V | 690V | 690V | 690V |
| Nominal impulse withstand voltage | 8kV | 8kV | 8kV | 8kV |
| Nominal continuous current | 57A | 57A | 57A | 57A |
| Terminal torque | 1,2Nm | 1,2Nm | 1,2Nm | 1,2Nm |
| Stripping length | 10mm | 10mm | 10mm | 10mm |
| Width | 8mm | 8mm | 8mm | 8mm |
| Insulating material | polyamide | polyamide | polyamide | polyamide |
| Ambient temperature | -25...+100°C | -25...+100°C | -25...+100°C | -25...+100°C |
| Weight | 22g | 26g | 23g | 27g |
| Package | 25pcs. | 25pcs. | 25pcs. | 25pcs. |

Equipment and accessories

| EQUIPMENT | PAGE | ZG-G/P | ZG-G/PG | ZG-G/D | ZG-G/DG |
|-----------------------------|------|------------------|------------------|------------------|------------------|
| Mounting rails | 200 | TS32/AL, TS35 | TS32/AL, TS35 | TS32/AL, TS35 | TS32/AL, TS35 |
| Holders | 49 | KU-1/35, KU-2/35 | KU-1/35, KU-2/35 | KU-1/35, KU-2/35 | KU-1/35, KU-2/35 |
| End section | 51 | PSUP-10 | PSUP-10 | PSUP-10 | PSUP-10 |
| Short-circuiting connectors | 53 | ZKU-10/... | ZKU-10/... | ZKU-10/... | ZKU-10/... |
| Markers | 48 | DK/Z-5, DK/Z-6 | DK/Z-5, DK/Z-6 | DK/Z-5, DK/Z-6 | DK/Z-5, DK/Z-6 |

Single line "mini" terminal block for TS15 rail - type BM-4

The BM-4 is a single line, thread terminal block for installing on TS15 mounting rails. Used for joining rigid and flexible copper cables. The end of the bunched conductor being connected must be terminated with a sleeve terminal clamped using manual press or must have all wires soldered. Colour – only yellow.



| TYPE | BM-4 |
|---------------------------------|-------------------------|
| Catalogue number | 11-4121 |
| Standard | IEC 60998-2-1 |
| Nominal cross-section | 4mm ² |
| Nominal voltage of insulation | 400V |
| Nominal continuous current | 32A |
| Nominal connectivity: wire/cord | 0,75...4mm ² |
| Terminal torque | 0,8Nm |
| Stripping length | 6mm |
| Width | 6,4mm |
| Insulating material | polyamide |
| Ambient temperature | -25...+100°C |
| Weight | 6g |
| Package | 100pcs. |

Equipment and accessories

| EQUIPMENT | PAGE | BM-4 |
|-----------------------------|------|----------------|
| Mounting rails | 200 | TS15/AL |
| Holders | 49 | KU-15 |
| Short-circuiting connectors | 53 | ZKM-4/... |
| Markers | 48 | DK/Z-5, DK/Z-6 |