

LED process controllers For standard signal inputs (AC+DC) **Codix 565**



The process controller Codix 565 with totalizer function displays V and mA standard signal inputs in high resolution. In addition it can monitor and control 2 limit values.

These fast displays set new standards when it comes to user friendliness. Their easy-to-read 14-segment LED display, easy-to-understand running help texts and a practical quick-start guide eliminate the need to wade through time-consuming full instruction manuals.

With optional analog output.

DC 10 ... 30 V Supply voltage	AC 100 ... 240 V Supply voltage	A..Z* LEDs 14-segment LED display	Prog Menu-driven programming	mA, V Display linearization	Tara Tare function	Σ Totalizer-Function	mA, V Input	min / max Min / Max value detection	2 2 limit values	AC/DC Galvanic isolation
15 bit Resolution	-20°...+65°C Temperature range	DIN 96x48 DIN front bezel	Installation in mosaic systems	Operation with gloves	mA, V Analog output optional					

User-friendly

- Practical quick-start guide for setting the parameters and operating the device.
- Help text as running text.
- Easy-to-read 14-segment LED display, 6 digits 14 mm [0.55] high.
- Simple programming via 4 keys on the front.
- One front key as well as 2 additional inputs can be programmed for specific applications.
- Customer-specific characteristic (linearization) curve via 12 control points for all measurement signal inputs.
- MIN/MAX memory function, individually resettable.

Powerful

- Sampling rate of 10 readings per second.
- Time-controlled totalizer function for totalizing the measured values. Can be reset separately.
- 2 relay outputs (changeover contacts) for limit monitoring with hysteresis and ON/OFF delay function for current measured or totalizer values.
- Analog output for the current measured value, MIN-value, MAX-value or totalizer value.
- Auxiliary sensor supply voltage 15 V DC / 25 mA, also for 2-wire transmitters.
- Inputs and outputs galvanically isolated .
- Digital filter (first-order) for smoothing display fluctuation with unstable input signals.
- Tare function.

Order code

6.56 **5** . 0 1 0 . X 0 X
a b c d

- a** Input type
5 = standard signal input ¹⁾
- b** Outputs
0 = relays ¹⁾
- c** Supply voltage
0 = 100 ... 240 V AC, ± 10% ¹⁾
3 = 10 ... 30 V DC ¹⁾
- d** Further outputs (optional)
0 = none ¹⁾
9 = analog output
(only for DC version)

Delivery specification:

- Process device
- Mounting clip
- Gasket
- Instruction manual, multilingual
- 1 sheet of self-adhesive symbols
- Quick-start guide

Practical quick-start guide for setting the parameters and operating the device. The guide can be affixed directly to the front of the unit and can be removed and re-applied as required.

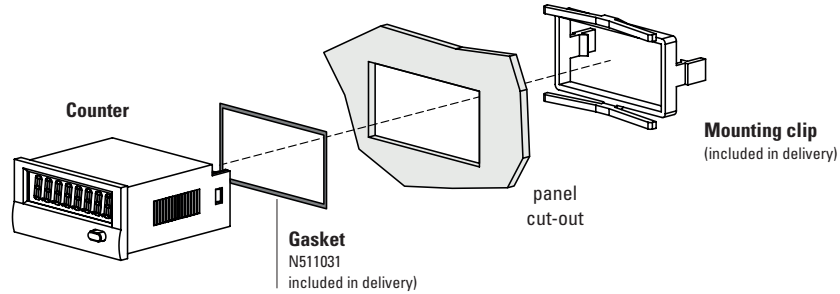


1) Stock types.

Process controllers

LED process controllers For standard signal inputs (AC+DC) Codix 565

Accessories / Mounting examples



		Type / size	Description		Order no.	
Gasket counter			96 x 49 mm [3.78 x 1.93"]		N511031	
Mounting frame		cut-out 92 x 45 mm [3.62 x 1.77"]	for snap-on mounting on 35 mm [1.38"] top-hat DIN rail	grey	G300005	–
Screw terminal (Replacement part)			1 ... 7, pitch 3.81 1 ... 2, pitch 5.08	7 pin 2 pin	N100387 N100133	
					incl. in delivery	

Process controllers

LED process controllers For standard signal inputs (AC+DC) Codix 565

Technical data

General technical data	
Display	6-digit, 14 segment LED
Digit height	14 mm [0.55"]
Display range	-199999 ... 999999, with leading zero blanking
Data retention	> 10 years, EEPROM
Operation	5 keys
Operating temperature	-20 °C ... +65 °C [-4°F ... +149°F] (non-condensing)
Storage temperature	-25 °C ... +75 °C [-13°F ... +167°F]
Relative humidity	93 % (non-condensing)
Altitude	up to 2000 m [6562']

Mechanical characteristics	
Housing	Panel mount housing to DIN 43700, RAL 7021
Dimensions	96 x 48 x 102 mm [3.78 x 1.89 x 4.02"]
Panel cut-out	92 +0.8 x 45 +0.6 mm [3.62 +0.032 x 1.77 +0.024"]
Installation depth	approx. 92 mm [3.62"] incl. terminals
Weight	approx. 180 g [6.34 oz] with analog output 200 g [7.06 oz]
Protection	IP65 (front side)
Housing material	Polycarbonate UL94 V-2
Vibration resistance acc. to EN 60068-2-6	10 ... 55 Hz / 1 mm / XYZ 30 min in each direction
Shock resistance acc. to EN 60068-2-27	100G / 2 ms / XYZ 3 times in each direction
acc. to EN 60068-2-29	10G / 6 ms / XYZ 2000 times in each direction
Connections supply voltage and outputs	Plug-in screw terminal, 8-pin, RM 5.00, core ø max. 2.5 mm ² [AWG 13]
Connections signal and control inputs	Plug-in screw terminal, 9-pin, RM 3.50, core ø max. 1.5 mm ² [AWG 15]

Electrical characteristics	
Supply voltage	AC supply 100 ... 240 V AC / max. 9 VA 50 / 60 Hz, tolerance ±10% ext. fuse protection: T 0.1 A DC supply 10 ... 30 V DC / max. 3.8 W with galvanic isolation and reverse polarity protection ext. fuse protection: T 0.4 A
Mains hum suppression	50 Hz or 60 Hz, programmable
Sensor supply voltage	AC supply 24 V DC ±15 %, 30 mA DC supply 15 V DC ± 1 %, 25 mA
EMC standards	EN 55011 class B EN 61000-6-2, EN 61000-6-3 with shielded signal and control cables
Device safety	designed to protection class 2 (front side) application area overvoltage category II EN 61010 part 1 pollution level 2 II
UL approval	file E128604

Measuring signal inputs	
Sampling rate	10 readings/sec
Voltage input	
Input signal	0 ... 10 V, 2 ... 10 V, ± 10 V
Measuring range	-10.5 ... +10.5 V
Resolution	< 0.4 mV (±15 bit)
Measuring accuracy at 23 °C [73°F] (% of range)	typ. 0.02 % / max. ≤ 0.05 %
Temperature drift	< 100 ppm/K _{Ambient}
Input resistance	1 MΩ
Max. voltage	± 30 V

Current input	
Input signal	0 ... 20 mA, 4 ... 20 mA
Measuring range	-0.5 ... 21 mA
Resolution	1 µA (> 14 bit)
Measuring accuracy at 23 °C [73°F] (% of range)	typ. 0.02 % / max. ≤ 0.05 %
Temperature drift	< 100 ppm/K _{Ambient}
Input resistance	22 Ω + PTC 25 Ω
Voltage drop	approx. 1.8 V at 20 mA
Max. current	60 mA

Control inputs MPI 1 / MPI 2	
Quantity	2 optocouplers
Function	programmable
Switching levels	LOW < 2 V HIGH > 4 V (max. 30 V)
Pulse length	> 100 ms

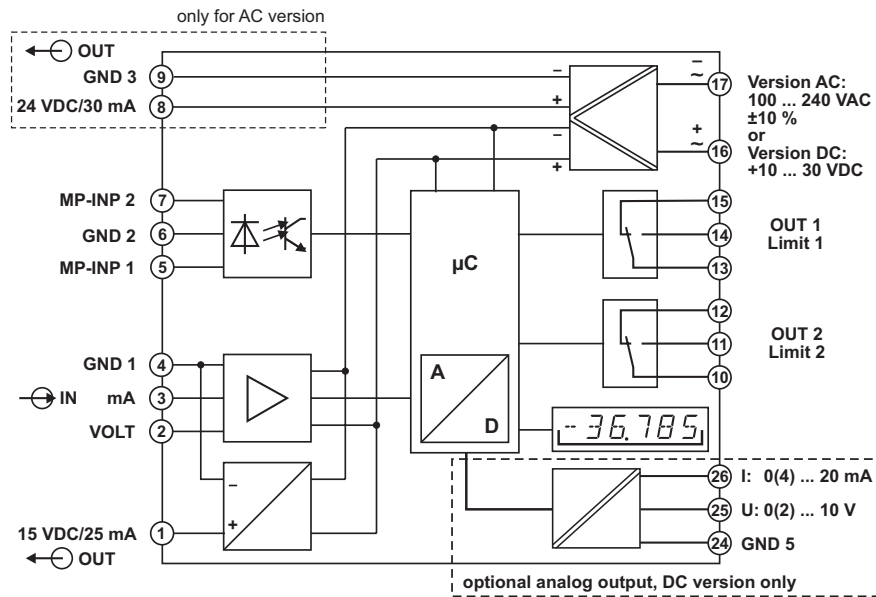
Analog output (optional - only for DC version)	
Output ranges	0 (4) ... 20 mA / 0 (2) ... 10 V
Load	current output ≤ 500 Ω voltage output ≥ 2000 Ω
Resolution	15 bit
Update time (basic device measuring rate)	100 ms
Temperature drift	≤ 100 ppm/K _{Ambient}
Accuracy	±0.1 % of the output range high value
Output ripple	≤ 10 mV
Isolation voltage	500 V AC for 1 minute or 1 kV DC for 1 second

Alarm outputs	
Relays	changeover contacts
Switching voltage	max. 250 V AC / 125 V DC min. 5 V AC / 5 V DC
Switching current	max. 5 A AC / 5 A DC min. 10 mA DC
Switching capacity	max. 1250 VA / 150 W

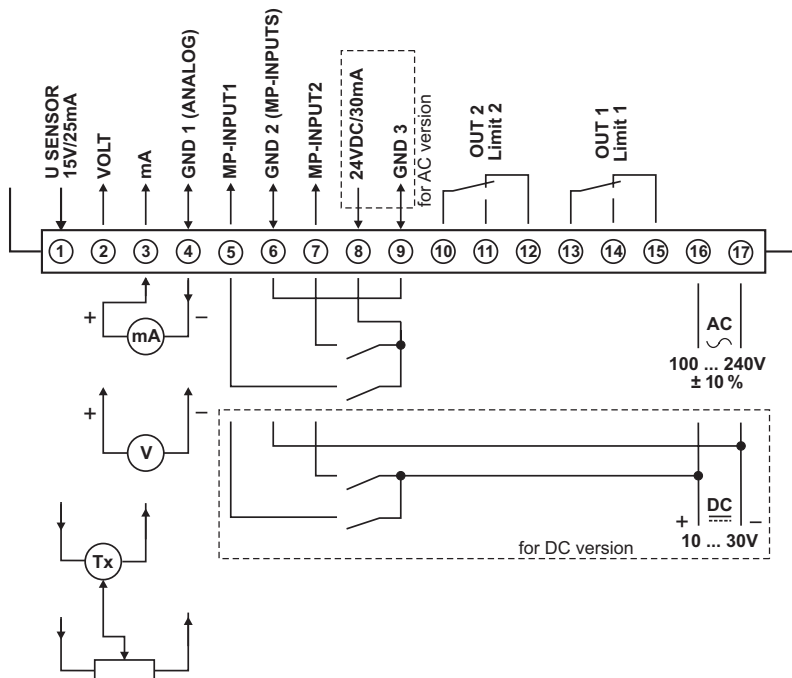
Process controllers

LED process controllers For standard signal inputs (AC+DC) Codix 565

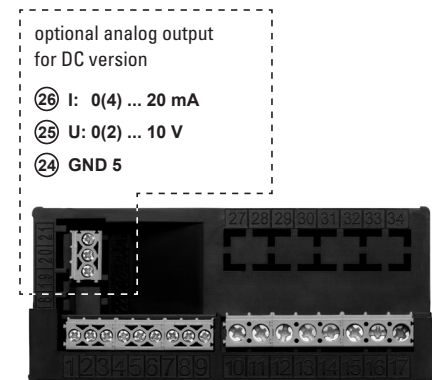
Block diagram



Terminal assignment



Rear side view



Process controllers

LED process controllers **For standard signal inputs (AC+DC)** **Codix 565**

Dimensions

Dimensions in mm [inch]

