

Pulse counters, electromechanical

| | | |
|----------------------|------------------------------------|-------------|
| Mini counters | 5 digits with reset (AC+DC) | W 15 |
|----------------------|------------------------------------|-------------|



The mini totalizers W 15 are manually resettable and have been designed for various front panel sizes in a wide variety of applications. They offer an excellent price / performance ratio and are easy to operate.

Characteristics

- 5-digit miniature pulse counter, adding with manual reset.
- Low power consumption.
- Available for all common DC and AC voltages.
- DIN housing 48 x 24 mm available.

Benefits

- Long service life (50 million pulses).
- Ideal for battery operation and electronic switching operations.

Applications

Machines and appliances, battery-powered devices, heat and water consumption measurement, establishing tolls and charges, general quantity counting.

Type series

| Description | Panel mount dimensions | Housing | Display | Type |
|---|---------------------------|---------|------------|----------------|
| Panel mount with mounting clip, 34 x 23 mm [1.34 x 0.91"] | 31 x 20 mm [1.22 x 0.79"] | plastic | front side | W 15.21 |
| Panel mount with mounting clip, 48 x 24 mm [1.89 x 0.94"] | 45 x 22 mm [1.77 x 0.87"] | plastic | front side | W 15.51 |

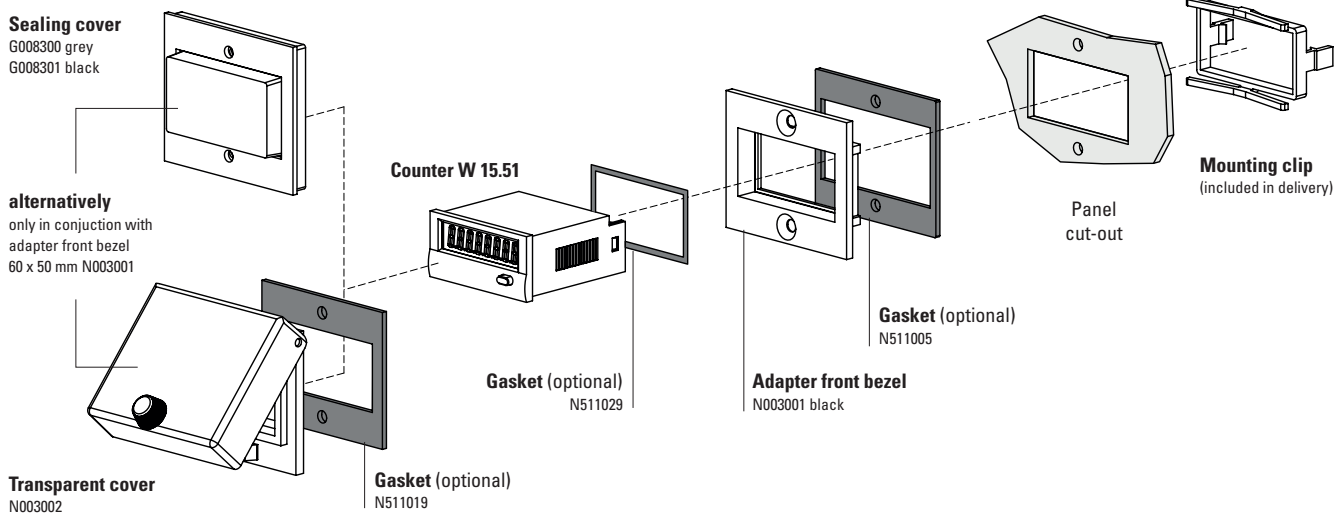
Order information

- Art. no.
- For special voltages, please give type, voltage, kind of voltage and series e.g.:
W 15.21, 4.5 V DC/0 black

Pulse counters, electromechanical

Mini counters **5 digits with reset (AC+DC)** **W 15**

Accessories / Mounting examples (for W 15.51 only)



| | | Type / size | Description | | Order no. | suitable gasket |
|-------------------------------|--|---|---|---|--|-----------------|
| Adapter front bezel | | 53 x 28 mm [2.09 x 1.10"] | for cut-out 50 x 25 mm [1.97 x 0.98"] to cut-out 45 x 22.2 mm [1.77 x 0.94"] | grey black anthracite | T008164 T008165 T008180 | N511015 |
| | | 56 x 40 mm [2.20 x 1.57"] | for cut-out 50 x 25 mm [1.97 x 0.98"] to cut-out 45 x 22.2 mm [1.77 x 0.94"] screw mounting | black anthracite | T008161 T008181 | N511045 |
| | | 72 x 36 mm [2.83 x 1.42"] | for cut-out 68 x 33 mm [2.68 x 1.30"] to cut-out 45 x 22.2 mm [1.77 x 0.94"] | black and silver anodised as set | 162704Set | – |
| | | 60 x 50 mm [2.36 x 1.97"] | for cut-out 54 x 29 mm [2.13 x 1.14"] to cut-out 45 x 22.2 mm [1.77 x 0.94"] screw mounting | black | N003001 | N511005 |
| | | 48 x 48 mm [1.89 x 1.89"] | for cut-out 45 x 45 mm [1.77 x 1.77"] to cut-out 45 x 22.2 mm [1.77 x 0.94"] | black | T008883 | – |
| Sealing cover IP65 | | K1 | only in conjunction with adapter front bezel 60 x 50 mm N003001 | transparent / grey transparent / black | G008300 G008301 | – |
| Transparent cover IP65 | | 1 Dv (mounted on bezel) | cover lockable, for cut-out 54 x 29 mm [2.13 x 1.14"], only in conjunction with adapter front bezel 60 x 50 mm N003001 | transparent / black | N003002 | N511019 |
| Gasket counter | | | 48 x 24 mm (for installation in adapter front bezel) 49 x 25 mm | | N511029 N511034 | |
| Mounting frame | | cut-out 50 x 25 mm [1.97 x 0.98"] | via adapter T008180 for snap-on mounting on 35 mm [1.38"] top-hat DIN rail | chromated | G300004 | – |
| Enclosure blind | | 48 x 24 mm [1.89 x 0.94"] | for cut-out 45 x 22.2 mm [1.77 x 0.94"] and cut-out 50 x 25 mm [1.97 x 0.98"] | anthracite | G003836 | – |

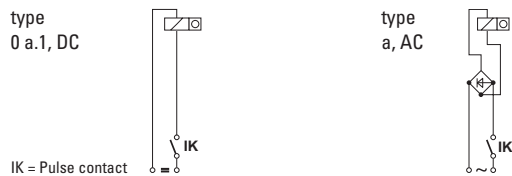
Pulse counters, electromechanical

Mini counters 5 digits with reset (AC+DC) W 15

| Technical data | | |
|---|---|--|
| Electrical connection | standard | flying leads, AWG 22 approx. 150 mm [5.91"] \varnothing 0.34 mm ² , 6 mm [0.24"] stripped wire ends, tinned |
| Rated voltage | type 05 (8 Hz) type 0 (10 Hz) type a0 (10 Hz) | 1.5 / 3 / 4.5 / 5 / 6 / 12 V DC (+15 %, -5 %) 12 / 24 / 48 / 115 / 230 V DC \pm 10 % 12 / 24 / 48 / 115 / 230 V AC, \pm 10 % |
| Cycle duration factor | | 100 % |
| Height of figures | | approx. 4 x 1.7 mm [0.16 x 0.067"] |
| Color of figures | | white on black |
| Counting mechanism shaft | | stainless steel |
| Operating temperature | | -10 °C ... +50 °C [+14 °F ... +122 °F] (non-condensing) |
| Relative humidity at +30 °C [+86 °F] | | \leq 80 % (non-condensing) |
| Altitude | | up to 2000 m [6562'] |
| Mounting position | | any |
| Operating life | | > 50 x 10 ⁶ pulses |
| Protection | | IP40 (front side) |
| Weight | | approx. 52 g [1.83 oz] |
| EMC standards | | EN 55011 class B EN 61000-6-2, EN 61000-6-3 |
| Device safety | designed to protection class application area | EN 61010 part 1 2 pollution level 2 |

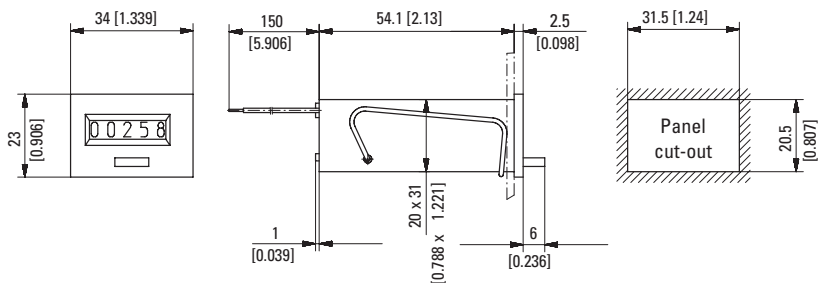
| Options | |
|--|--|
| Electrical connection | <ul style="list-style-type: none"> pin \varnothing 1.5 mm with push on connectors (Art. no.: 1.151.X1X.XXX) with flat pin 0.8 x 2.8 mm [0.032 x 0.11"] and flat push on connectors (Art. no.: 1.159.X1X.XXX) with flat pin 0.8 x 6.3 mm [0.032 x 0.25"] and flat push on connectors (Art. no.: 1.157.XXX.XXX) with screw terminal (Art. no.: 1.154.XXX.XXX.023) |
| Color of housing (availability see table) | grey Art. no.: X.XXX.XX0.XXX black Art. no.: X.XXX.XX1.XXX |
| Extended temperature range | on request |

Connection diagram



| Type / Counting mechanism | | | | | | |
|---------------------------|------|----------------------|--------------------|---------------------|---|-----------------------------|
| Voltage | Type | Pulse frequency max. | Pulse on time min. | Pulse interval min. | Power consumption approx. | Permi. residual ripple max. |
| V DC | 05 | 8 Hz | 50 ms | 75 ms | 130 mW | 5 % |
| V DC | 0 | 10 Hz | 50 ms | 50 ms | 0.5 W (\leq 115 V) 1 W (185 V) | 48 % |
| V AC | a0 | 10 Hz | 50 ms | 50 ms | 0.75 VA (\leq 115 V) 1.5 VA (230 V) | – |

Panel mount with mounting clip
Panel mount dimensions 31 x 20 [1.22 x 0.79]
Type W 15.21



Color of housing black: Art. no. 1.150.211.XXX

| Type | Voltage | Display | Art. no. | | | | Further stock types: |
|----------------|-----------------|----------|----------------------|------------------------------------|----------------------|------------------------------------|--|
| | | | 12 V | 24 V | 115 V | 230 V | |
| W 15.21 | DC (8 Hz) / 05 | 5 digits | 1.150.210.049 | 1.150.210.050 | | | 1.150.211.012 12 V DC/0 sw 1.150.211.013 24 V DC/0 sw 1.150.211.056 230 V AC/a0 sw |
| | DC (10 Hz) / 0 | | 1.150.210.012 | 1.150.210.013 ¹⁾ | | | |
| | AC (10 Hz) / a0 | | | 1.150.210.051 | 1.150.210.054 | 1.150.210.056 ¹⁾ | |

Pulse counters, electromechanical

Mini counters

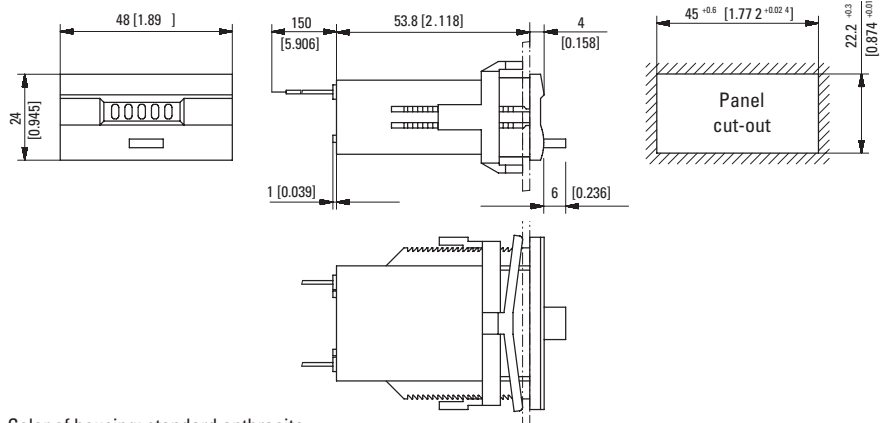
5 digits with reset (AC+DC)

W 15

Panel mount with mounting clip

Panel mount dimensions 45 x 22 [1.77 x 0.87]

Type W 15.51



Color of housing: standard anthracite

| Type | Voltage | Display | Art. no. | | | |
|----------------|-----------------|----------|--|--|--|--|
| | | | 12 V | 24 V | 115 V | 230 V |
| W 15.51 | DC (8 Hz) / 05 | 5 digits | 1.150.510.049.550 | 1.150.510.050.550 | | |
| | DC (10 Hz) / 0 | | 1.150.510.012.550 ¹⁾ | 1.150.510.013.550 ¹⁾ | | |
| | AC (10 Hz) / a0 | | | 1.150.510.051.550 | 1.150.510.054.550 ¹⁾ | 1.150.510.056.550 ¹⁾ |