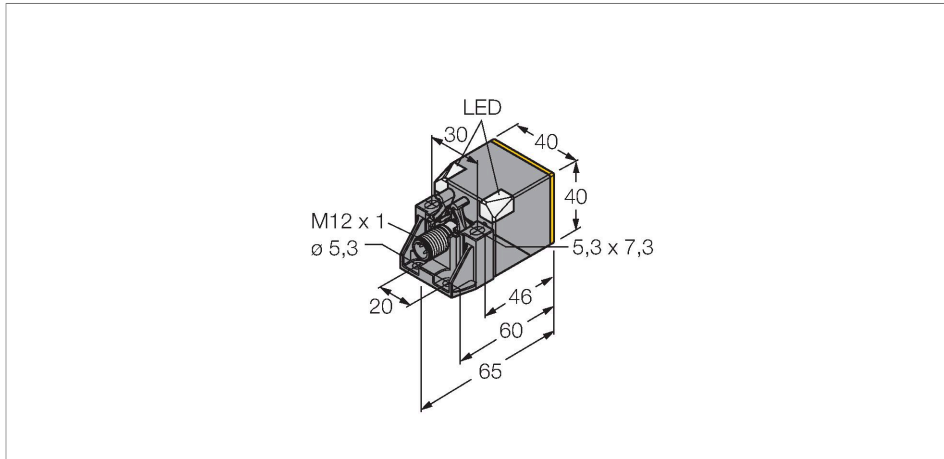


# NI50U-QV40-AP6X2-H1141

## Inductive Sensor – With Extended Switching Distance



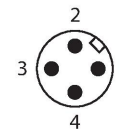
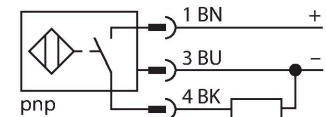
### Features

- Rectangular, height 40 mm
- Variable orientation of active face in 5 directions without tools
- Plastic, PBT-GF30-V0
- High luminance corner LEDs
- Optimum view on supply voltage and switching state from any position
- Factor 1 for all metals
- Increased switching distance
- Protection class IP68
- Resistant to magnetic fields
- Auto-compensation protects against pre-damping
- Partially embeddable
- DC 3-wire, 10...30 VDC
- NO contact, PNP output
- M12 x 1 male connector

### Technical data

Type	NI50U-QV40-AP6X2-H1141
ID no.	1625853
Rated switching distance	50 mm
Mounting conditions	Non-flush, flush mountable
Secured operating distance	$\leq (0.81 \times S_n)$ mm
Repeat accuracy	$\leq 2\%$ of full scale
Temperature drift	$\leq \pm 10\%$
	$\leq \pm 20\%$ , $\leq -25\text{ °C}$ v $\geq +70\text{ °C}$
Hysteresis	3...15 %
Ambient temperature	-30...+85 °C
Operating voltage	10...30 VDC
Residual ripple	$\leq 10\%$ $U_{ss}$
DC rated operational current	$\leq 200$ mA
No-load current	$\leq 15$ mA
Residual current	$\leq 0.1$ mA
Isolation test voltage	$\leq 0.5$ kV
Short-circuit protection	yes / Cyclic
Voltage drop at $I_o$	$\leq 1.8$ V
Wire breakage/Reverse polarity protection	yes / Complete
Output function	3-wire, NO contact, PNP
Insulation class	□
Switching frequency	0.25 kHz
<b>Design</b>	<b>Rectangular, QV40</b>
Dimensions	65 x 40 x 40 mm

### Wiring diagram



### Functional principle

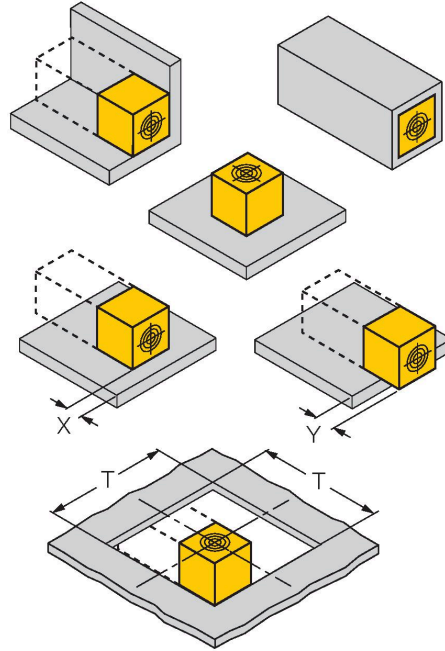
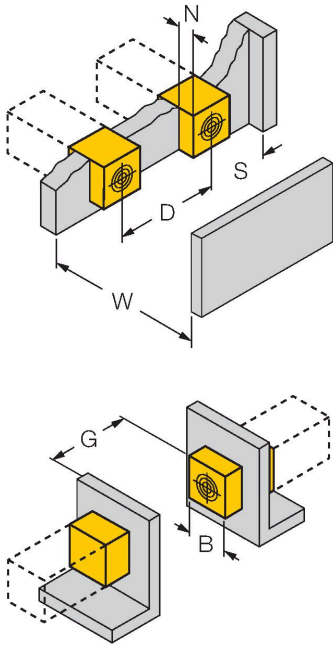
Inductive sensors are designed for wear-free and contactless detection of metal objects. uprox+ sensors have significant advantages due to their patented multi-coil system. They excel thanks to their optimum switching distances, maximum flexibility and operational reliability as well as efficient standardization.

## Technical data

	variable orientation of active face in 5 directions
Housing material	Plastic, PBT-GF30-V0, Black
Active area material	Plastic, PA6-GF30-X, yellow
Electrical connection	Connector, M12 × 1
Vibration resistance	55 Hz (1 mm)
Shock resistance	30 g (11 ms)
Protection class	IP68
MTTF	874 years acc. to SN 29500 (Ed. 99) 40 °C
Power-on indication	2 × LEDs, Green
Switching state	2 × LEDs, Yellow
Included in delivery	Fixing clamp for QV40

## Mounting instructions

### Mounting instructions/Description



Distance D 240 mm

Distance W 105 mm

Distance S 60 mm

Distance G 300 mm

Distance N 30 mm

Width active area B 40 mm

#### Flush mounting

1-side mounting: Sr = 35 mm; D = 240 mm

2-side mounting: Sr = 25 mm; D = 240 mm

3-side mounting: Sr = 20 mm; D = 80 mm

4-side mounting: Sr = 17 mm; D = 60 mm

Backside as well as recessed mounting with reduced switching distance

#### Recessed mounting in metal:

x = 10 mm: Sr = 20 mm

x = 20 mm: Sr = 20 mm

x = 30 mm: Sr = 20 mm

x = 40 mm: Sr = 20 mm

#### Protruded mounting:

y = 10 mm: Sr = 40 mm

y = 20 mm: Sr = 50 mm

y = 30 mm: Sr = 50 mm

y = 40 mm: Sr = 50 mm

Mounting in aperture plate: T = 150 mm:

Sensor with twisted turning angle

On metal Sr = 50 mm

Metal-enclosed on one side Sr = 25 mm

Metal-enclosed on two sides Sr = 15 mm

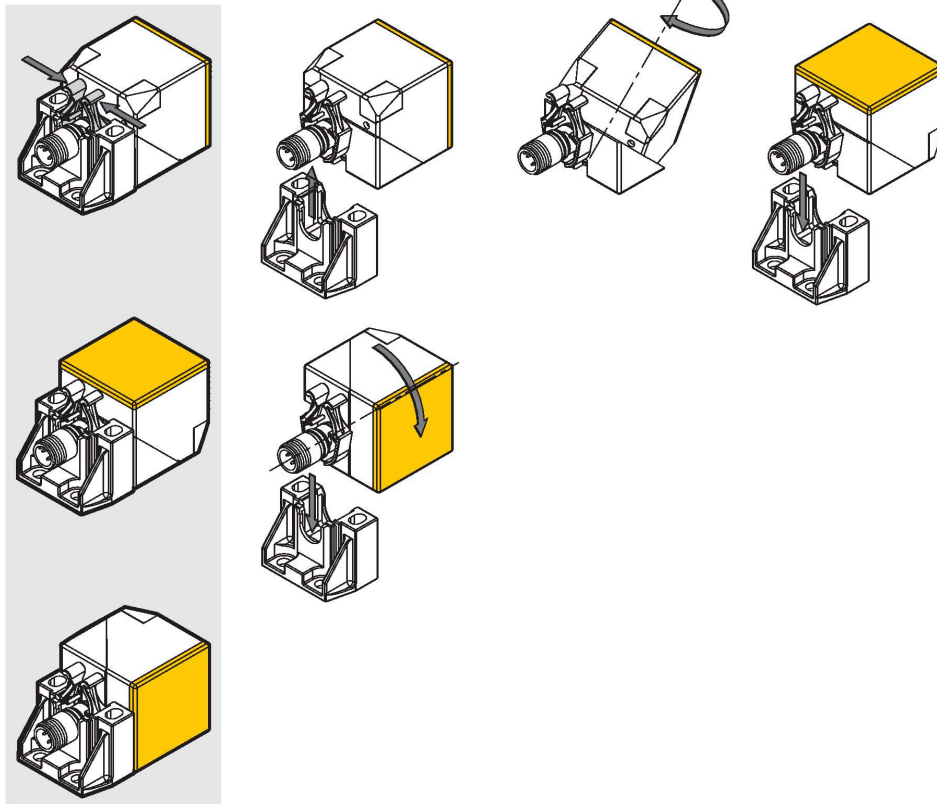
Metal-enclosed on three sides Sr = 12 mm

With a single action the active face can be positioned in 5 directions without tools.

A light squeeze of the bracket is enough to release the sensor from the fixing clamp.

Afterwards, the active face can easily be twisted to change the position.

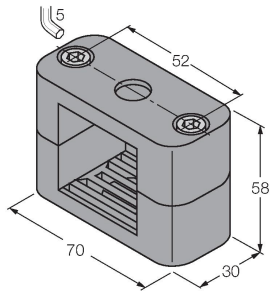
Once the final position is attained, the sensor is simply inserted in the fixing clamp until the clamp snaps in. Safe and easy mounting is thus guaranteed.



## Accessories

BSS-CP40

6901318



Mounting clamp for rectangular housings 40 x 40 mm; material: Polypropylene

## Wiring accessories

Dimension drawing

Type

ID no.

RKC4T-2/TEL

6625010

Connection cable, female M12, straight, 3-pin, cable length: 2 m, sheath material: PVC, black; cULus approval; other cable lengths and qualities available, see [www.turck.com](http://www.turck.com)

