


| | | |
|---------------------------|---------------------------|---|
| 10014000 | DATA SHEET |  |
| Valid from: 17.09.2018 | EPIC® H-B 6 TBF-LB | |

Description

- The smallest housing out of the H-B series.
- For inserts with high properties.



General Characteristics

| | |
|------------------------------|---|
| Series | H-B 6 |
| Version | Coupler hood PG13,5 / PG16 (Article 10024000) |
| Locking | Single lever |
| Cable gland | Yes |
| Cable entry | Straight |
| Protection (DIN EN 60529) | IP 65 (latched) |
| Protection (NEMA 250, UL50E) | 4, 12 (latched) |
| Temperature Range | -40°C to +100°C, short term up to +125°C |

Materials and Surfaces

| | |
|--------------|--------------------------------------|
| Housing | Aluminium alloy, powder-coated, grey |
| Bolt | Heat-treatable steel, zinc-plated |
| Lever | Steel, zinc-plated |
| Profile Seal | NBR |


Approvals

| | |
|----------------------------|------|
| VDE-Approval, VDE-REG.-Nr. | B437 |
|----------------------------|------|

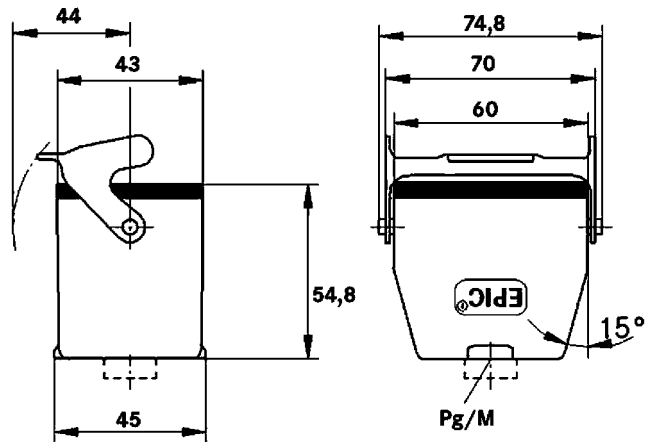
Standard

| | |
|-----------------|-----------|
| Safety Standard | IEC 61984 |
|-----------------|-----------|

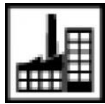
| | | |
|---|---------------------------------------|-------------|
| Creator: MANA2/PDP Released: IVSE1/PDP | Document: DB10014000EN Version: 01 | Page 1 of 2 |
|---|---------------------------------------|-------------|

| | | |
|---------------------------|--------------------|---|
| 10014000 | DATA SHEET |  |
| Valid from: 17.09.2018 | EPIC® H-B 6 TBF-LB | |

Technical Drawings



Automation



Industrial machinery and plant engineering



Mechanical resistance



Robust



Waterproof

Info

Universal, robust metal housings size H-B 6

Application range

Plant engineering
Control engineering
Plastics industry

Remark

Photographs are not to scale and do not represent detailed images of the respective products.

| | | |
|---|---------------------------------------|-------------|
| Creator: MANA2/PDP Released: IVSE1/PDP | Document: DB10014000EN Version: 01 | Page 2 of 2 |
|---|---------------------------------------|-------------|