

Karta katalogowa | Numer produktu: 2000-402

mostek grzebieniowy; z izolacją; 2-tor.; prąd nominalny 14 A; jasnoszary

[www.wago.com/2000-402](http://www.wago.com/2000-402)



RoHS  Compliant

[BOMcheck.net](https://www.bomcheck.net)

Kolor:

## Data

### Dane elektryczne

#### Parametry znamionowe zgodnie z IEC/EN 60664-1

|                               |       |
|-------------------------------|-------|
| napięcie znamionowe (III / 3) | 800 V |
| prąd znamionowy               | 14 A  |

Zmiany zastrzeżone

WAGO ELWAG sp. z o. o.  
ul. Piękna 58 a  
50-506 Wrocław  
Tel.: +48 71 3602972 | Fax: +48 71 3602999  
Email: [wago.elwag@wago.com](mailto:wago.elwag@wago.com)

Masz pytania dotyczące naszych produktów?  
Jesteśmy do Twojej dyspozycji pod numerem telefonu +48 71 360 29 70.



## Approvals Ex

|                           |      |
|---------------------------|------|
| prąd znamionowy (Ex e II) | 12 A |
|---------------------------|------|

## Wymiary

|           |                     |
|-----------|---------------------|
| szerokość | 5,9 mm / 0.232 inch |
| wysokość  | 19 mm / 0.748 inch  |
| głębokość | 4,1 mm / 0.161 inch |

## Dane materiałowe

|                    |            |
|--------------------|------------|
| kolor              | jasnoszary |
| obciążenie ogniowe | 0,005 MJ   |
| masa               | 0,5 g      |

## Dane handlowe

|                    |               |
|--------------------|---------------|
| Grupa produktów    | 22 (TOPJOB S) |
| rodzaju opakowania | bag           |
| Kraj pochodzenia   | DE            |
| GTIN               | 4055143692441 |
| Nr taryfy celnej   | 85366990990   |

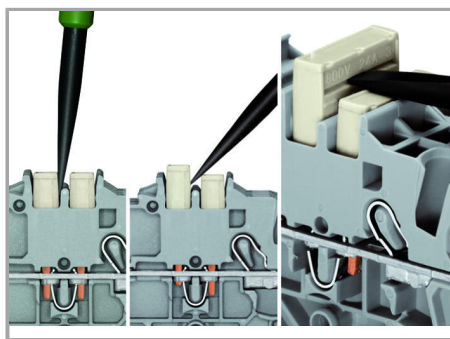
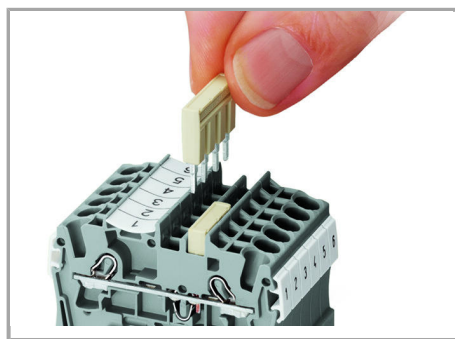
## Wskazówki dotyczące obsługi

Jumpered

Zmiany zastrzeżone

WAGO ELWAG sp. z o. o.  
ul. Piękna 58 a  
50-506 Wrocław  
Tel.: +48 71 3602972 | Fax: +48 71 3602999  
Email: [wago.elwag@wago.com](mailto:wago.elwag@wago.com)

Masz pytania dotyczące naszych produktów?  
Jesteśmy do Twojej dyspozycji pod numerem telefonu +48 71 360 29 70.



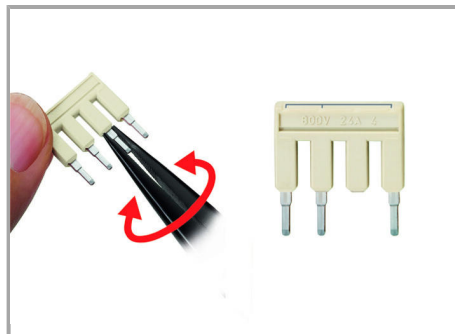
The push-in type jumper bar system is based on the common plug and socket principle. Each terminal block is spring-loaded with a double socket and a resilient CrNi steel spring. The jumper contact material is pure electrolytic copper, which allows for an extremely small design capable of carrying the full-rated current of the terminal block. Ground terminal blocks can also be commoned using the same jumper system. Custom jumpers are created by breaking and removing jumper contacts (2000, 2001, 2002, 2004 Series).

#### Removing a push-in type jumper bar.

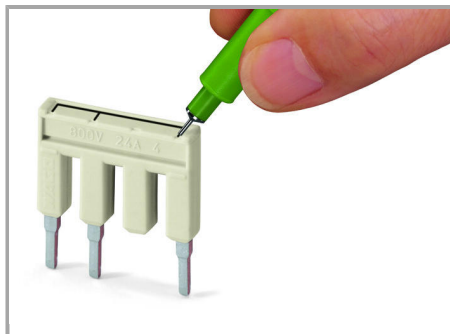
Insert the operating tool between the jumper and the partition wall of the dual jumper slots, then lift up the jumper.

Place the operating tool in the center of jumpers up to five contacts (see above), or alternately on both sides for jumpers with more than five contacts.

#### Jumpered



Custom push-in type jumper bars are created by breaking off jumper contacts.



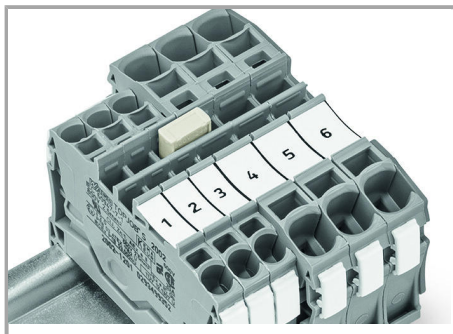
Marking a push-in type jumper bar using a felt-tip pen.

500 V

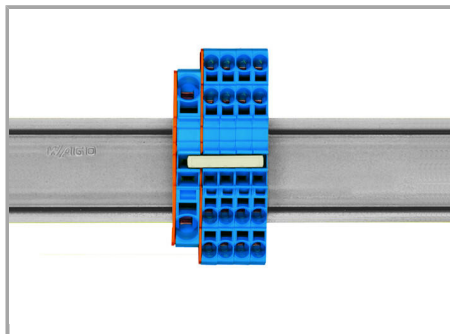
300 V

Zmiany zastrzeżone

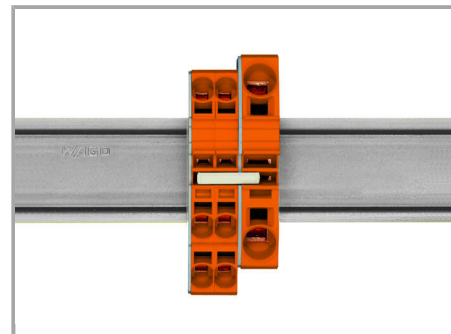
### Jumpered



Stepping down via push-in type jumper bar.



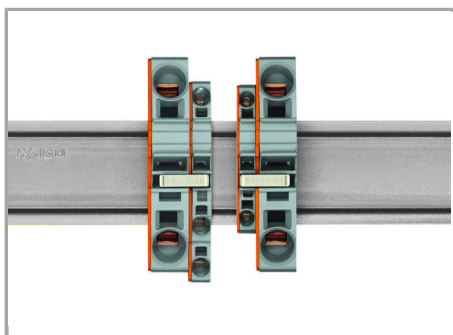
Stepping down via push-in type jumper bar.



Stepping down via push-in type jumper bar.

Commoning via closed terminal side with end plate allows jumpering over two cross-section sizes, e.g., from 16 mm<sup>2</sup> (6 AWG) to 6 mm<sup>2</sup> (10 AWG) or from 6 mm<sup>2</sup> (10 AWG) to 2.5 mm<sup>2</sup> (14 AWG) (see illustration above).

Commoning via open terminal side with end plate allows jumpering over two cross-section sizes for 16 mm<sup>2</sup> (6 AWG) and 10 mm<sup>2</sup> (8 AWG) and one cross-section size for 6/4/2.5 mm<sup>2</sup> (10/12/14 AWG). An example: from 16 mm<sup>2</sup> (6 AWG) to 6 mm<sup>2</sup> (10 AWG) (see illustration above) or from 10 mm<sup>2</sup> (8 AWG) to 4 mm<sup>2</sup> (12 AWG).



### Note:

The total current of the outgoing circuits shall not exceed the nominal current of the step-down jumper/push-in type jumper bar.

### Zmiany zastrzeżone

WAGO ELWAG sp. z o. o.  
ul. Piękna 58 a  
50-506 Wrocław  
Tel.: +48 71 3602972 | Fax: +48 71 3602999  
Email: [wago.elwag@wago.com](mailto:wago.elwag@wago.com)

Masz pytania dotyczące naszych produktów?  
Jesteśmy do Twojej dyspozycji pod numerem telefonu +48 71 360 29 70.