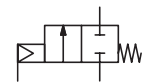




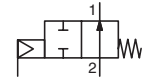
VALVES

pressure operated
bronze or stainless steel body
threaded ports, 3/8 to 2 1/2

NC



NO



2/2
Series
E290

FEATURES

- High flow due to angled seat design
- Anti-waterhammer design (fluid entry under the disc)
- Vacuum operation up to 10² mbar
- Wide range of piston-type operators (32 - 50- 63 - 90 - 125 mm dia.) rotatable through 360°, for maximum performance at different minimum pilot pressures
- High performance, maintenance-free stuffing box
- The valves satisfy Pressure Equipment Directive 2014/68/EU, category 1 (DN > 25) or article 4.3 (DN ≤ 25)
- The valves in conformity with IEC 61508 Standard (2010 route 2_H version) certified with integrity levels: SIL 2 for HFT = 0

GENERAL

Differential pressure	See «SPECIFICATIONS» [1 bar =100 kPa]
Maximum allowable pressure	16 bar
Ambient temperature range	-10°C to +60°C
Maximum viscosity	600 cSt (mm ² /s)
Pilot fluid	Filtered air or water ⁽¹⁾
Max. pilot pressure	10 bar
Min. pilot pressure	See below and following page
Pilot fluid temperature	-10°C to +60°C
Response time	See page 7 (www.asco.com)



fluids (*)	temperature range	disc seal (*)
DN ≤ 50: air and gas groups 1 & 2 DN 65: air and gas group 2 all DN: water, oil, liquids groups 1 & 2 and steam	- 10°C to + 184°C	PTFE

MATERIALS IN CONTACT WITH FLUID

(*) Ensure that the compatibility of the fluids in contact with the materials is verified

	Bronze body	Stainless steel body
Valve body	Bronze	AISI 316L
Stuffing box housing	Brass	AISI 316L
Stem	Stainless steel	Stainless steel
Disc	Brass	Stainless steel
Stuffing box packing	PTFE chevrons	PTFE chevrons
Wiper seal	FPM	FPM
Disc seal	PTFE	PTFE
Valve body seal	PTFE	PTFE

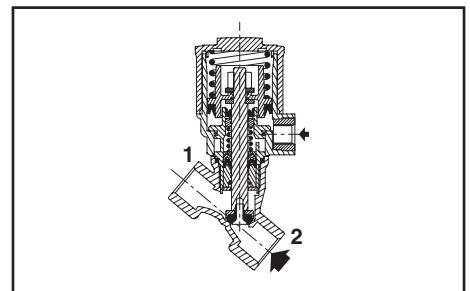
OTHER MATERIALS

Operator	Glass fibre filled PA
Optical position indicator	PA 12, supplied standard on valves with 63, 90 and 125 mm operators

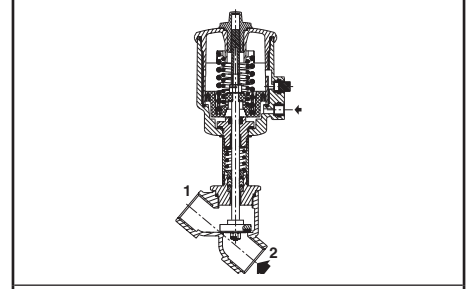
⁽¹⁾ For dia. 32, 50, 63, 90 and 125 mm operators: At service fluid temperatures inside the valve body above 100°C, it is prohibited to pilot the valve with water.

SPECIFICATIONS

piping (ISO 6708)		flow coefficient Kv		pilot pressure (bar)		operating pressure differential (bar)				operator diameter (mm)	catalogue number	
pipe size (G*)	DN	(m ³ /h)	(l/min)	min.	max.	min.	max.				bronze	stainless steel
							air, inert gas, aggressive fluids (*)	water, oil, liquids, aggressive liquids (*)	steam (*) (≤184°C)			
NC - Normally closed, entry under the disc ⁽¹⁾												
3/8	10	2,8	47	4	10	0	16	16	10	32	-	E290A791
		4,1	68	4	10	0	12	12	10	32	-	E290A792
1/2	15	4,9	82	4	10	0	16	16	10	50	E290A384	E290A393
				2,5	10	0	16	16	10	63	E290B002	E290B045
3/4	20	6,5	108	4	10	0	6	6	6	32	-	E290A793
							10	10	10	50	E290A385	E290A394
							16	16	10	63	E290B005	E290B048
							2,5	10	0	12	12	10
1	25	12,8	213	4	10	0	6	6	6	50	E290A386	E290A395
							10	10	10	63	E290B010	E290B053
							16	16	10	90	E290B011	E290B054
							6	6	6	63	E290B008	E290B051
1 1/4	32	16,5	275	2,5	10	0	12	12	10	90	E290B009	E290B052
							6	6	6	63	E290A016	E290A059
							12	12	10	90	E290A017	E290A060
							3	3	3	63	E290A014	E290A057
							7	7	7	90	E290A015	E290A058
							4	10	0	16	16	10
			2,5	10	0	16	16	10	125	E290A641	E290A645	



NC function, entry under the disc, 32 and 50 mm operators



NC function, entry under the disc, 63, 90 and 125 mm operators

SPECIFICATIONS

piping (ISO 6708)		flow coefficient Kv		pilot pressure (bar)		operating pressure differential (bar)			operator diameter (mm)	catalogue number		
pipe size (G*)	DN	(m³/h)	(l/min)	min.		max.				bronze	stainless steel	
				min.	max.	air, inert gas, aggressive fluids (*)	water, oil, liquids, aggressive liquids (*)	steam (*) (≤184°C)				
NC - Normally closed, entry under the disc ⁽¹⁾												
1 1/2	40	45	750	4	10	0	4	4	4	63	E290A020	E290A063
				2,5	10	0	8	8	8	90	E290A021	E290A064
		48	800	4	10	0	4	4	4	90	E290A019	E290A062
				2,5	10	0	16	16	10	125	E290A482	E290A495
2	50	59	983	4	10	0	2,5	2,5	2,5	63	E290A024	E290A067
				2,5	10	0	6	6	6	90	E290A025	E290A068
		66	1100	4	10	0	2,5	2,5	2,5	90	E290A023	E290A066
				2,5	10	0	10	10	10	125	E290A485	E290A498
		94	1567	4	10	0	5	5	5	125	E290A484	-
				2,5	10	0	2	2	2	90	E290A487	E290A500
111	1850	4	10	0	6	6	6	125	E290A488	E290A501		
		2,5	10	0	6	6	6	125	E290A488	E290A501		
NO - Normally open, entry under the disc												
3/8	10	2,8	47	IX (*)	10	0	16	16	10	32	-	E290A794
		4,1	68	IX (*)	10	0	16	16	10	32	-	E290A795
1/2	15	4,9	82	I (*)	10	0	16	16	10	50	E290A387	E290A396
				II (*)	10	0	16	16	10	63	E290B026	E290B069
3/4	20	6,5	108	IX (*)	10	0	16	16	10	32	-	E290A796
				I (*)	10	0	16	16	10	50	E290A388	E290A397
		9,4	157	II (*)	10	0	16	16	10	63	E290B027	E290B070
				II (*)	10	0	16	16	10	50	E290A389	-
1	25	12,8	213	I (*)	10	0	16	16	10	63	E290B028	E290B071
				II (*)	10	0	16	16	10	90	E290B029	E290B072
		16,5	275	III (*)	10	0	16	16	10	63	E290A030	E290A073
1 1/4	32	27	450	II (*)	10	0	16	16	10	90	E290A031	E290A074
				III (*)	10	0	16	16	10	125	E290A643	E290A647
		29	483	IV (*)	10	0	16	16	10	63	E290A032	E290A075
1 1/2	40	45	750	II (*)	10	0	11	11	10	90	E290A033	E290A076
				III (*)	10	0	16	16	10	125	E290A489	E290A502
		48	800	IV (*)	10	0	16	16	10	63	E290A034	E290A077
2	50	59	983	II (*)	10	0	7	7	7	63	E290A035	E290A078
				III (*)	10	0	13	13	10	125	E290A490	E290A503
		66	1100	IV (*)	10	0	16	16	10	90	E290A491	E290A504
2 1/2	65	94	1567	III (*)	10	0	7	7	7	90	E290A492	E290A505
				111	1850	IV (*)	10	0	16	16	10	125
NC - Normally closed, entry above the disc (version recommended for rapid-cycling steam applications)												
3/8	10	2,8	47	X (*)	10	0	10	-	10	32	-	E290A797
		4,1	68	X (*)	10	0	10	-	10	32	-	E290A798
1/2	15	4,9	82	V (*)	10	0	10	-	10	50	E290A390	E290A399
				VI (*)	10	0	10	-	10	63	E290B036	E290B079
		6,5	108	X (*)	10	0	10	-	10	32	-	E290A799
3/4	20	9,4	157	V (*)	10	0	10	-	10	50	E290A391	E290A400
				VI (*)	10	0	10	-	10	63	E290B037	E290B080
		12,8	213	V (*)	10	0	10	-	10	50	E290A392	E290A401
1	25	16,5	275	VI (*)	10	0	10	-	10	63	E290B038	E290B081
				VI (*)	10	0	10	-	10	63	E290A039	E290A082
1 1/4	32	27	450	VII (*)	10	0	10	-	10	90	E290A136	E290A137
1 1/2	40	45	750	VI (*)	10	0	10	-	10	63	E290A040	E290A083
				VII (*)	10	0	10	-	10	90	E290A041	E290A084
2	50	59	983	VI (*)	10	0	9	-	9	63	E290A042	E290A085
				VII (*)	10	0	10	-	10	90	E290A043	E290A086
2 1/2	65	94	1567	VII (*)	10	0	10	-	10	90	E290A623	E290A625
				111	1850	VIII (*)	10	0	10	-	10	125

 (*) Minimum pilot pressure varies with differential pressure, see page: 7 (www.asco.com)

(1) Calculation of the minimum pilot pressure at a ΔP of max. 10 bar with allowable backpressure (backpressure not recommended with liquids as waterhammer may occur).

 - 32 and 50 mm operators, 4 bar minimum pilot pressure version: add 2 bar to the minimum pilot pressure of chart V or X [see page: 7 (www.asco.com)]

 - 63, 90 and 125 mm operators, 4 bar minimum pilot pressure version: add 1,5 bar to the minimum pilot pressure of chart VI, VII or VIII [see page: 7 (www.asco.com)]

OPTIONS AND ACCESSORIES [see pages: 37 (www.asco.com) / 43 (www.asco.com)]

- Signaling box or compact signaling unit
- Stroke limiter for opening
- Manual safety device
- Optical position indicator on 32-50 mm operators, NC function
- Adapter plate for NAMUR pad mounting pilot (63-90-125 mm operators only)
- Oxygen service (except DN 65), pressure limited to 15 bar, temperature limited to + 60°C
- Vacuum applications up to $1,33 \cdot 10^{-3}$ mbar
- NET-INOX passivation treatment on stainless steel body valve
- ATEX 2014/34/EU versions for potentially explosive atmospheres (www.asco.com)
- Other pipe connections are available on request

INSTALLATION

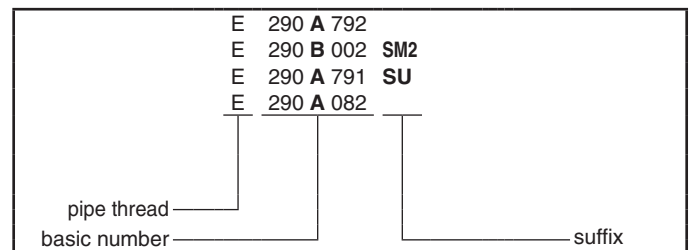
- The valves can be mounted in any position without affecting operation
- Compatible with ASTM 1, 2 and 3 oils
- Check temperature range of valve body and solenoid pilot valves for suitability. For probability of failure, contact us
- Pipe connections (G*) have standard combination thread according to ISO 228/1 and ISO 7/1
- Installation/maintenance instructions are included with each valve

SPARE PARTS KITS

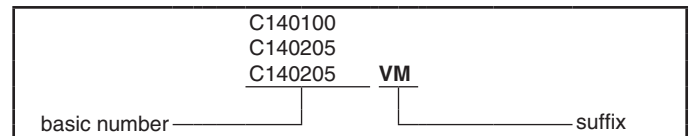
DN	spare parts kit no.	
	Ø 32 mm	Ø 50-63-90-125 mm
10	C140100	-
15	C140101	C131204 ⁽¹⁾
20	C140102	C131205 ⁽¹⁾
25	-	C131206 ⁽¹⁾
32	-	C131207 ⁽¹⁾
40	-	C131208 ⁽¹⁾
50	-	C131209 ⁽¹⁾
65	-	C131622 ⁽¹⁾

⁽¹⁾ Standard suffix VM also applies to kits. [see page: 37 (www.asco.com)].
 - Not available

ORDERING EXAMPLES:



ORDERING EXAMPLES KITS:

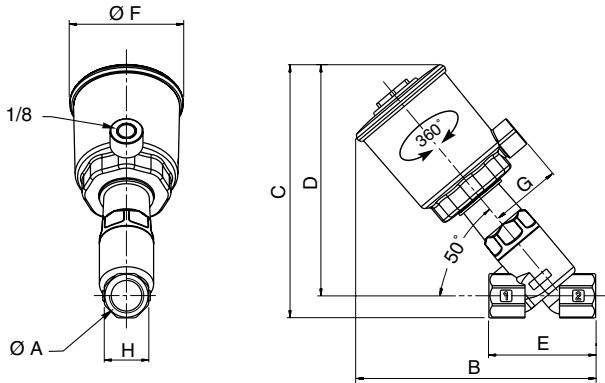


32 mm operator	50 mm operator	63, 90 and 125 mm operators
NO function		
NC function, fluid entry above disc		

DIMENSIONS (mm), WEIGHT (kg)

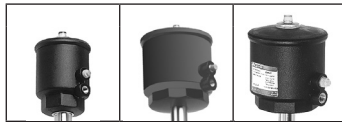


TYPE 01-02
 32 and 50 mm operators
 Fluid entry:
 under the disc at 2
 above the disc at 1

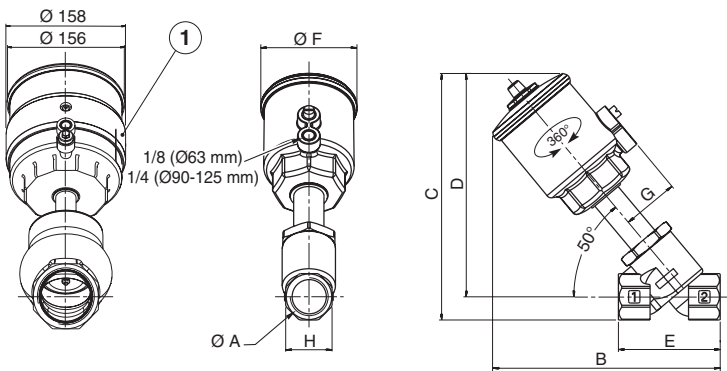


type	operator diameter	ØA	B	C	D	E	ØF	G	ØH	weight ⁽¹⁾
01	32 mm	3/8	92	93	81,5	55	43,5	27	23,5	0,35
		1/2	99	97	83,5	65	43,5	27	28	0,4
		3/4	107	104,5	88	75	43,5	27	30	0,45
02	50 mm	1/2	142	154,5	141	65	69	43	27	0,9
		3/4	150,5	159	143	75	69	43	32	1
		1	155	165	145	90	69	43	41	1,4

⁽¹⁾ Weight of valve without pilot.
 Solenoid pilot valves, see page: 49 (www.asco.com) [32 and 50 mm operators].



TYPE 03-04-05
 63, 90 and 125 mm operators
 Fluid entry:
 under the disc at 2
 above the disc at 1



① Operator dia. 125 mm, NO function

type	operator diameter	ØA	B	C	D	E	ØF	G	ØH	weight ⁽¹⁾
03	63 mm	1/2	170	182	169	65	85	50,5	27	1,2
		3/4	175	185	170	75	85	50,5	32	1,3
		1	179	192	172	90	85	50,5	41	1,7
		1 1/4	217	229	204	110	85	50,5	50	2,1
		1 1/2	224	245	215	120	85	50,5	60	2,9
		2	249	259	224	150	85	50,5	70	3,7
04	90 mm	1	197	209	189	90	118	67	41	2,3
		1 1/4	236	246	221	110	118	67	50	2,7
		1 1/2	243	262	232	120	118	67	60	3,5
		2	267	276	241	150	118	67	70	4,3
05	125 mm	2 1/2	299	300	257	190	118	67	86	6,3
		1 1/4	284	298	273	110	156	86	50	5,2
		1 1/2	291	313,5	283,5	120	156	86	60	6
		2	315	328	293	150	156	86	70	6,8
		2 1/2	347	352	308	190	156	86	86	8,9

⁽¹⁾ Weight of valve without pilot. Add 0,2 for dia. 125 mm operator NO.
 Solenoid pilot valves, see pages: 49 (www.asco.com) [63 mm operator] / 51 (www.asco.com) [90 and 125 mm operators]

All leaflets are available on: www.asco.com