


10103000	<b>DATA SHEET</b>	
Valid from: 17.09.2018	<b>EPIC® H-B 24 AD-BO</b>	

## Description

- Ideal for many applications due to a wide range of housings and inserts



## General Characteristics

Series	H-B 24
Version	Panel mount base
Protection cover	Yes
Locking	Bolts for double lever
Protection (DIN EN 60529)	IP 65 (latched) IP 40 (cover closed)
Protection (NEMA 250, UL50E)	4, 12 (latched)
Temperature Range	-40°C to +100°C, short term up to +125°C

## Materials and Surfaces

Housing	Aluminium alloy, powder-coated, grey
Cover	Zinc alloy, powder-coated, grey
Bolts	Zinc-plated steel
Sealing	NBR


## Approvals

VDE-Approval, VDE-REG.-Nr.	B437
----------------------------	------

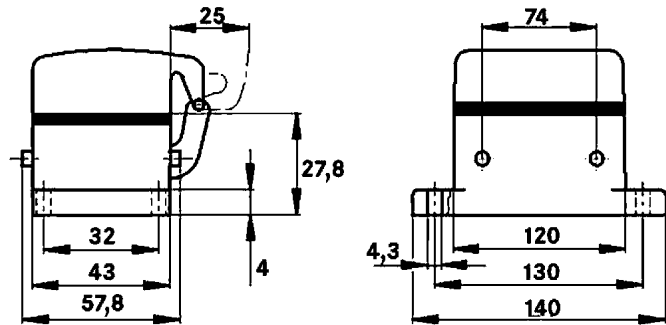
## Standard

Safety Standard	IEC 61984
-----------------	-----------

Creator: MANA2/PDP Released: IVSE1/PDP	Document: DB10103000EN Version: 02	Page 1 of 2
---	---------------------------------------	-------------

10103000	<b>DATA SHEET</b>	
Valid from: 17.09.2018	EPIC® H-B 24 AD-BO	

## Technical Drawings



Automation



Industrial machinery and plant engineering



Mechanical resistance



Robust



Waterproof

### Info

Universal, robust metal housings size H-B 24

### Application range

Plant engineering  
Light & sound technology  
Plastics industry

### Remark

Photographs are not to scale and do not represent detailed images of the respective products.

Creator: MANA2/PDP Released: IVSE1/PDP	Document: DB10103000EN Version: 02	Page 2 of 2
---	---------------------------------------	-------------