
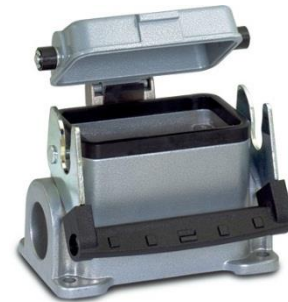


| | | |
|---------------------------|----------------------------|---|
| 10107900 | DATA SHEET |  |
| Valid from: 17.09.2018 | EPIC® H-B 24 SDR-LB | |

Description

- Ideal for many applications due to a wide range of housings and inserts



General Characteristics

| | |
|-------------------|--|
| Series | H-B 24 |
| Version | Surface mount base PG21 |
| Protection cover | Yes |
| Locking | Single lever |
| Cable entry | 1 |
| Protection | IP 65 (latched) |
| Temperature Range | -40°C to +100°C, short term up to +125°C |

Materials and Surfaces

| | |
|---------|--------------------------------------|
| Housing | Aluminium alloy, powder-coated, grey |
| Cover | Zinc alloy, powder-coated, grey |
| Bolt | Zinc-plated steel |
| Lever | Zinc-plated steel |
| Sealing | NBR |


Approvals

| | |
|----------------------------|------|
| VDE-Approval, VDE-REG.-Nr. | B437 |
|----------------------------|------|

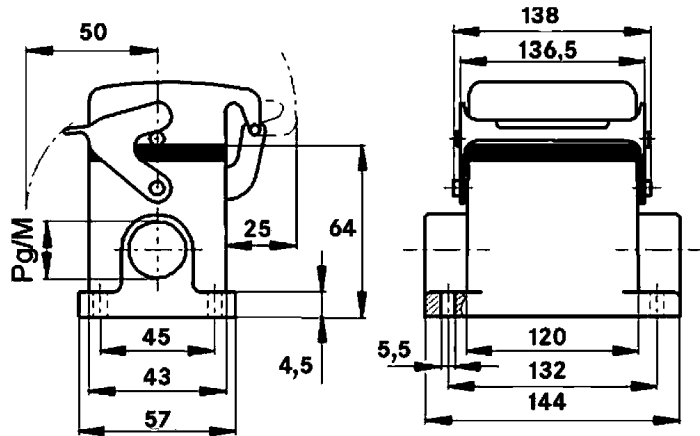
Standard

| | |
|-----------------|-----------|
| Safety Standard | IEC 61984 |
|-----------------|-----------|

| | | |
|---|---------------------------------------|-------------|
| Creator: MANA2/PDP Released: IVSE1/PDP | Document: DB10107900EN Version: 01 | Page 1 of 2 |
|---|---------------------------------------|-------------|

| | | |
|---------------------------|---------------------|---|
| 10107900 | DATA SHEET |  |
| Valid from: 17.09.2018 | EPIC® H-B 24 SDR-LB | |

Technical Drawings



Automation



Industrial machinery and plant engineering



Mechanical resistance



Robust



Waterproof

Info

Universal, robust metal housings size H-B 24

Application range

Plant engineering
Light & sound technology
Plastics industry

Remark

Photographs are not to scale and do not represent detailed images of the respective products.

| | | |
|---|---------------------------------------|-------------|
| Creator: MANA2/PDP Released: IVSE1/PDP | Document: DB10107900EN Version: 01 | Page 2 of 2 |
|---|---------------------------------------|-------------|