


|                           |                            |   |
|---------------------------|----------------------------|---|
| 70154400                  | <b>DATA SHEET</b>          |  |
| Valid from:<br>17.09.2018 | <b>EPIC® H-B 24 TSH-RO</b> |   |

## Description

- Ideal for many applications due to a wide range of housings and inserts



## General Characteristics

|                   |   |
|-------------------|---|
| Series            | H-B 24                                      |
| Version           | Hood PG 21 / PG29 (Article 70154600)        |
| Locking           | Bolts with plastic rollers for single lever |
| Cable gland       | Yes   |
| Cable entry       | Side  |
| Protection        | IP 65 (latched)                             |
| Temperature Range | -40°C to +100°C, short term up to +125°C    |

## Materials and Surfaces

|                 |                                      |
|-----------------|--------------------------------------|
| Housing         | Aluminium alloy, powder-coated, grey |
| Bolt with reels | Zinc plated steel / PA               |
| Body            | brass nickel plated                  |

## Approvals

|                            |      |
|----------------------------|------|
| VDE-Approval, VDE-REG.-Nr. | B437 |
|----------------------------|------|

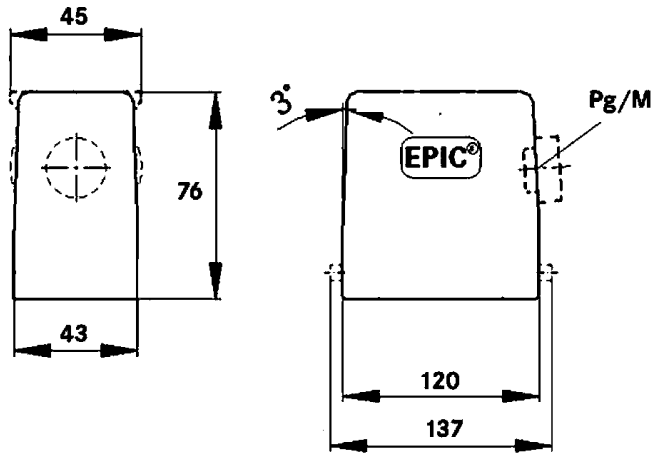
## Standard

|                 |           |
|-----------------|-----------|
| Safety Standard | IEC 61984 |
|-----------------|-----------|

|   |                                       |             |
|---|---------------------------------------|-------------|
| Creator: MANA2/PDP<br>Released: IVSE1/PDP | Document: DB70154400EN<br>Version: 01 | Page 1 of 2 |
|---|---------------------------------------|-------------|

|                           |                     |   |
|---------------------------|---------------------|---|
| 70154400                  | <b>DATA SHEET</b>   |  |
| Valid from:<br>17.09.2018 | EPIC® H-B 24 TSH-RO |   |

## Technical Drawings



Automation



Industrial machinery and plant engineering



Mechanical resistance



Robust



Waterproof

### Info

Universal, robust metal housings size H-B 24

### Application range

Plant engineering  
Light & sound technology  
Plastics industry

### Remark

Photographs are not to scale and do not represent detailed images of the respective products.

|   |                                       |             |
|---|---------------------------------------|-------------|
| Creator: MANA2/PDP<br>Released: IVSE1/PDP | Document: DB70154400EN<br>Version: 01 | Page 2 of 2 |
|---|---------------------------------------|-------------|