


70250200	<b>DATA SHEET</b>	
Valid from: 13.05.2019	<b>EPIC® ULTRA H-B 6 TG LB</b>	

## Description

- Housing H-B ULTRA: For more reliability
- Optimal, low resistance 360° screening
- EPIC® ULTRA housings are universally applicable due to their high corrosion resistance and high protection against environmental influences. Space-saving due to compact dimensions
- High mechanical resistance
- Puggable with standard-housing



## General Characteristics

Series	ULTRA H-B 6
Model	Hood
Cable entry	1x straight
Cable gland	Yes
Clamping range	See table
Screen contacting	BRUSH (optional, see table)
Diameter above cable braiding (only BRUSH)	min. 5 mm
Locking	Bolts for single lever
Protection (DIN EN 60529)	IP 65 (mated and latched)
Protection (NEMA 250/UL50E)	4, 4X, 12 (mated and latched)
Temperature range	-40°C to +100°C

## Materials / Surfaces

Housing	Zinc alloy, nickel-plated
Locking	Stainless steel
Cable gland	Brass, nickel-plated
Insert	PA
Seal ring	CR


## Standards

Safety standards	IEC 61984
Product features according to	DIN EN 6988
	DIN EN ISO 9227, method NSS, duration 480h
	DIN EN 60068-2-52, severity level 2

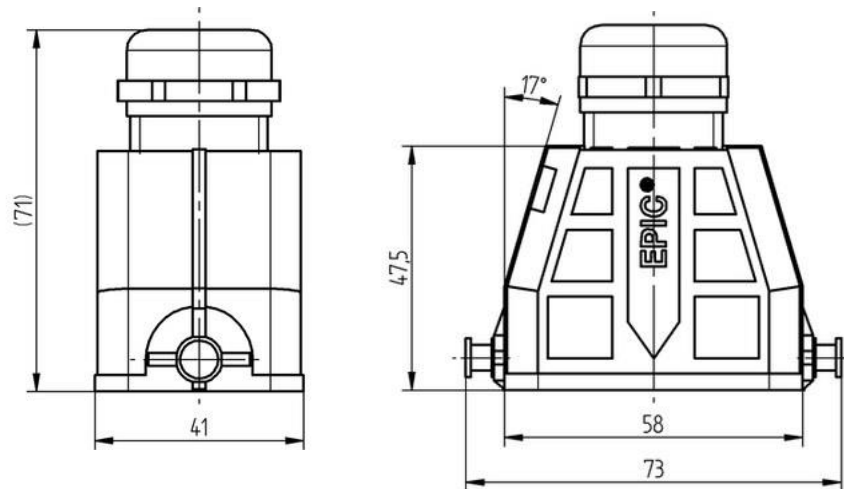
## Versions

Article number	Article description	Clamping range	BRUSH
70250200	EPIC® ULTRA H-B 6 TG LB 6-13	6 - 13 mm	No
70250266	EPIC® ULTRA H-B 6 TG LB 6-13 BRUSH	6 - 13 mm	Yes
70250201	EPIC® ULTRA H-B 6 TG LB 9-17	9 - 17 mm	No
70250202	EPIC® ULTRA H-B 6 TG LB 6-17 BRUSH	9 - 17 mm	Yes

Creator: BEGE1/PDP Released: IVSE1/PDP	Document: DB70250200EN Version: 02	Page 1 of 2
---	---------------------------------------	-------------

70250200	<b>DATA SHEET</b>	
Valid from: 13.05.2019	<b>EPIC® ULTRA H-B 6 TG LB</b>	

## Technical Drawings



Good chemical resistance



Required space



Large clamping range



Robust



Corrosion resistant



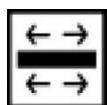
SKINTOP® Integrated Cable Gland



Installation time



Connectors with standart housing



Optimal strain relief



Waterproof

### Info

EMC protection, corrosion-resistant, integrated SKINTOP® cable gland

### Application range

In EMC-sensitive environments, for fixed and flexible applications (e.g. machiner, wind turbines), construction machinery, electric motor manufacturing

### Remark

Photographs are not to scale and do not represent detailed images of the respective products.

Creator: BEGE1/PDP Released: IVSE1/PDP	Document: DB70250200EN Version: 02	Page 2 of 2
---	---------------------------------------	-------------