



[Environmental Con-  
firmations](#)



[Environmental Con-  
firmations](#)



General Product Approval

Test Certificates

other

[Confirmation](#)



[Special Test Certific-  
ate](#)

[Miscellaneous](#)

[Confirmation](#)

other



#### Więcej informacji

Informacje dotyczące opakowania

[Informacje dotyczące opakowania](#)

Information for data generation and storage

<https://support.industry.siemens.com/cs/ww/en/view/109995012>

Information- and Downloadcenter (Catalogs, Brochures,...)

<https://www.siemens.com/lowvoltage/catalogs>

Industry Mall (Online ordering system)

<https://mall.industry.siemens.com/mall/en/en/Catalog/product?mlfb=3NE1437-1>

Service&Support (Manuals, Certificates, Characteristics, FAQs,...)

<https://support.industry.siemens.com/cs/ww/pl/ps/3NE1437-1>

Image database (product images, 2D dimension drawings, 3D models, device circuit diagrams, ...)

[https://www.automation.siemens.com/bilddb/cax\\_en.aspx?mlfb=3NE1437-1](https://www.automation.siemens.com/bilddb/cax_en.aspx?mlfb=3NE1437-1)

CAX-Online-Generator

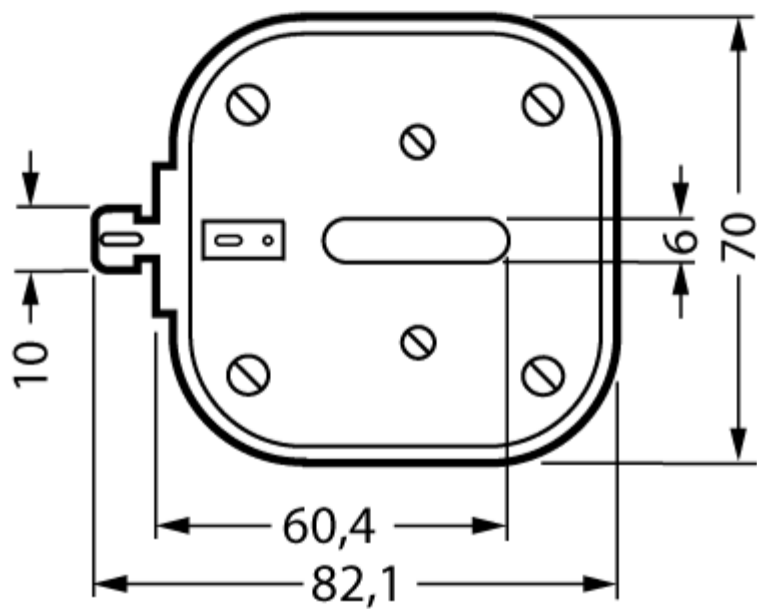
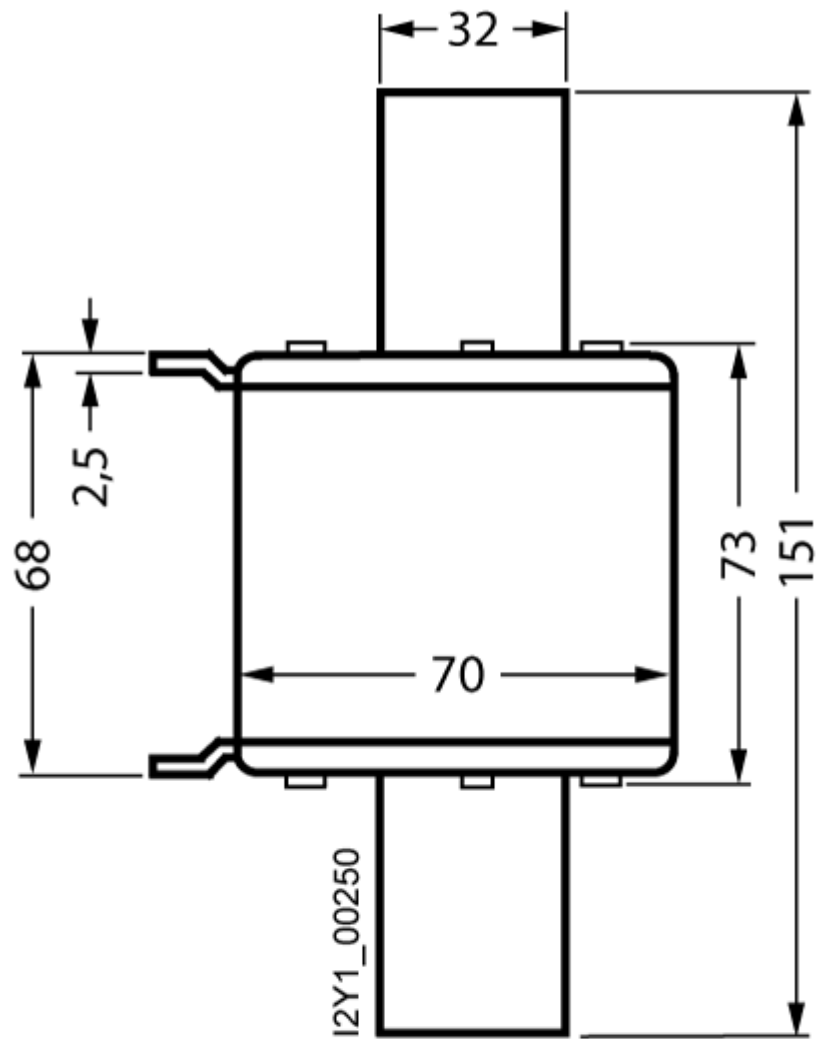
<https://www.siemens.com/cax>

Tender specifications

<https://www.siemens.com/specifications>

Krzywe charakterystyczne

[https://curves.simaris.siemens.com/curves/<mmp\\_prod\\_noCOMP="HAUPT"></mmp\\_prod\\_no>](https://curves.simaris.siemens.com/curves/<mmp_prod_noCOMP=)



Ostatnia zmiana:

11.04.2025 

